

Three Channel, Ultra Low-Dropout, Constant-Current White LED Bias

Features

- Ultra Low 150mV Dropout at 20mA
- 0.6% High Accuracy Current Matching
- 20mA Full Scale Current
- 32 Level Linear Current Brightness Control
- PWM Brightness Control
- 2.5V to 5.5V Supply Voltage Range
- SOT-23-6 and TSOT-23-6 Package

Applications

- Mobile Phones
- White LED backlighting

General Description

The G5920 is a high performance ultra low-dropout constant current bias supply for white LEDs. It can be used as an alternative to the simple ballast resistors in conventional parallel white LEDs applications. Each white LED bias current is matching to 0.6%.

For dimming control, an enable input pin is controlled by processor GPIO output pulses for 32 level linear current. Using a low frequency PWM waveform to this enable input pin also controls the average LED current which is proportional to the PWM duty.

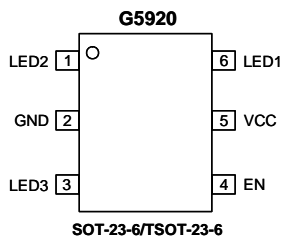
The G5920 is suitable for single cell Li-ion battery power device that using low forward voltage white LEDs. The white LEDs can be powered directly from battery without extra external components. This takes an advantage of highest efficiency and creates no EMI problem.

Ordering Information

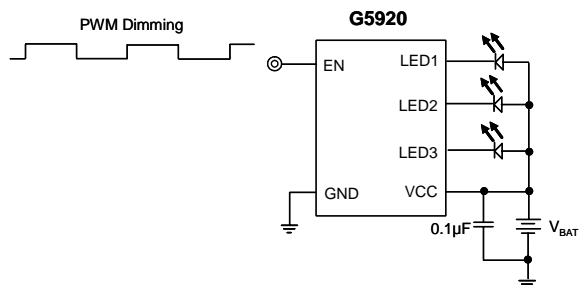
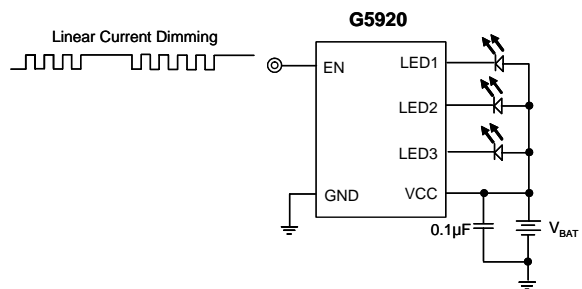
ORDER NUMBER	ORDER NUMBER (Pb free)	MARKING	TEMP. RANGE	PACKAGE
G5920TB1U	G5920TB1Uf	5920x	-40°C to 85°C	SOT-23-6
---	G5920TP1U	5920x	-40°C to 85°C	TSOT-23-6

Note:TB : SOT23-6 TP : TSOT23-6
 1: Bonding Code (only SOT-23-6 and TSOT-23-6)
 U: Tape & Reel

Pin Configuration



Typical Application Circuit



**Absolute Maximum Ratings**

VCC to GND. -0.3V to +7.0V
 EN, LED1, LED2, LED3 to GND . . . -0.3V to VCC+0.3V
 Operating Temperature Range. -40°C to 85°C

Junction Temperature. 125°C
 Storage Temperature. -65°C to 150°C
 Reflow Temperature (soldering, 10sec) 260°C

Stress beyond those listed under "Absolute Maximum Rating" may cause permanent damage to the device.

Electrical Characteristics

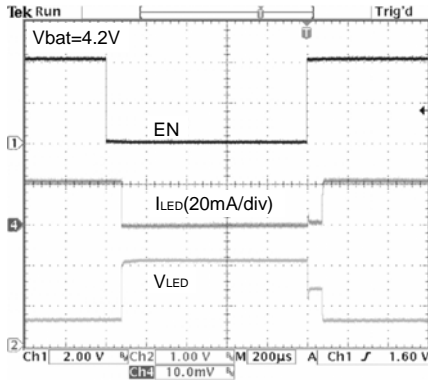
$V_{CC} = V_{EN} = 3.6V, T_A = 25^\circ C$

PARAMETER	CONDITION	MIN	TYP	MAX	UNIT
Input Voltage Range	V_{CC}	2.5	---	5.5	V
Quiescent Current	I_Q	---	180	230	μA
Shutdown Current	$I_{Q(OFF)}, V_{EN} = 0V$	-1	---	+1	μA
Input Voltage UVLO Threshold	V_{UVLO}	---	2	---	V
Output Current	Max I_{LED}	18	20	22	mA
Output Current Line Regulation	$V_{LED} = 0.5V \sim 2V$	-0.5	---	+0.5	%/V
Current Matching	$V_{LED} = 0.5V$	-4	± 0.6	+4	%
LED Pin Voltage Dropout	$V_{LED(DROP)}, 90\% \text{ Max } I_{LED}$	---	---	0.15	V
EN Pin Input Voltage High	V_{IH}	2	---	---	V
EN Pin Input Voltage Low	V_{IL}	---	---	0.8	V
EN Pin Input Current	I_{EN}	-1	---	+1	μA
EN Pin Off Timeout	T_{OFF}	40	80	200	μS
EN Pin End of Pulse Timeout	T_{EOP}	40	80	200	μS
EN Pin Pulse High Time	T_{HIGH}	5	---	30	μS
EN Pin Pulse Low Time	T_{LOW}	5	---	30	μS

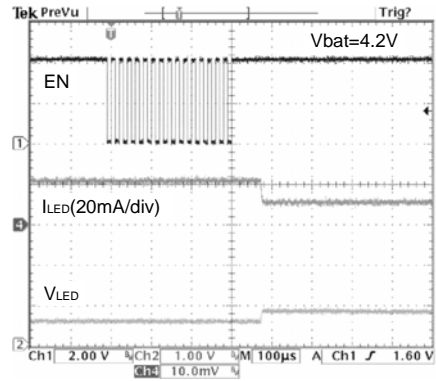
Typical Performance Characteristics

$V_{CC}=V_{EN}=3.6V$, $V_{LED}=0.5V$, $T=25^{\circ}C$, unless otherwise noted.

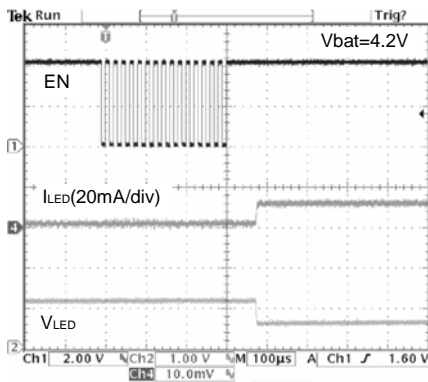
PWM Diming Waveform



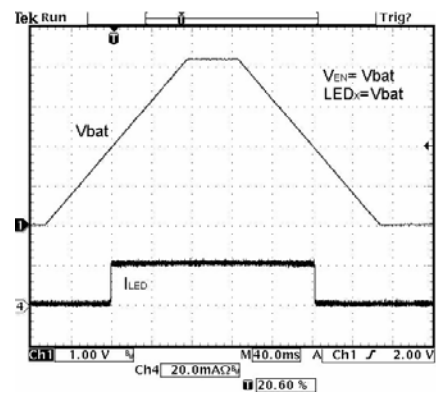
Linear Dimming Waveform I



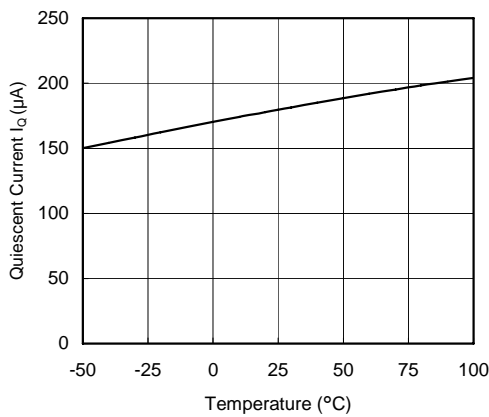
Linear Dimming Waveform II



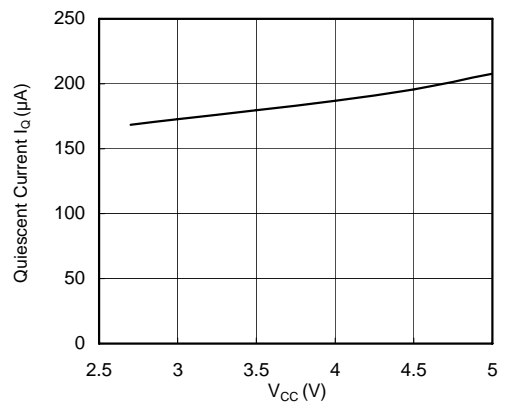
Input Voltage UVLO



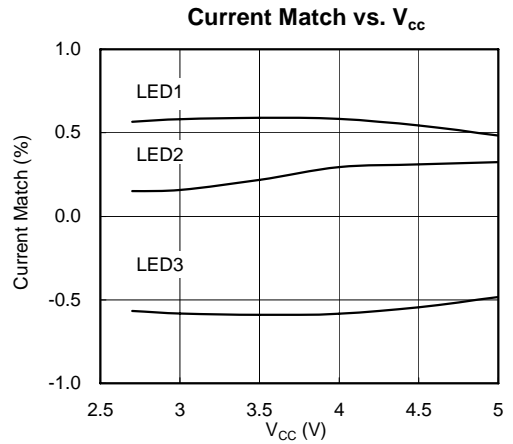
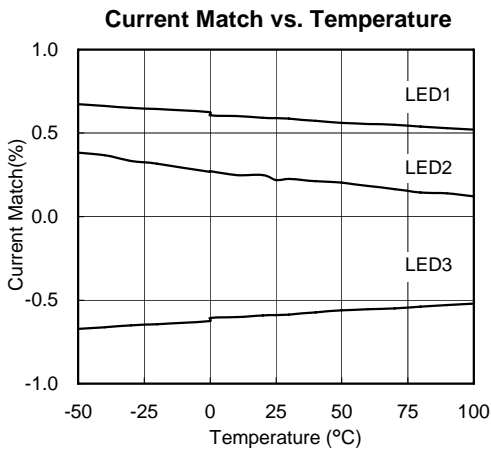
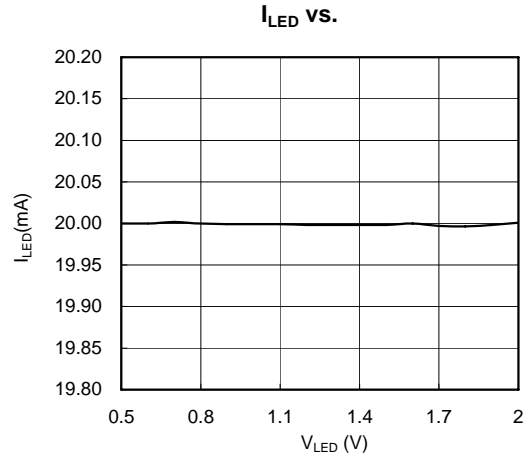
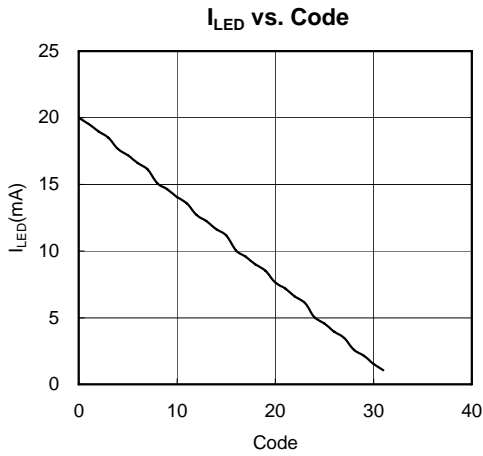
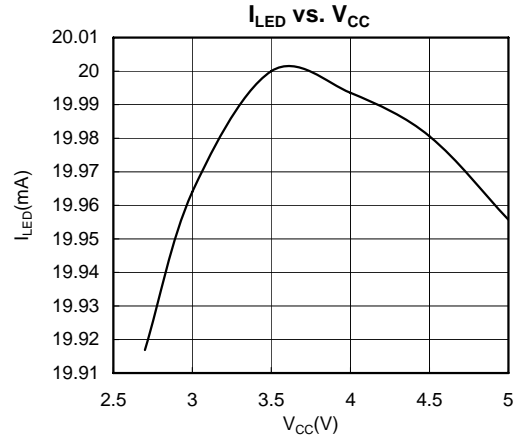
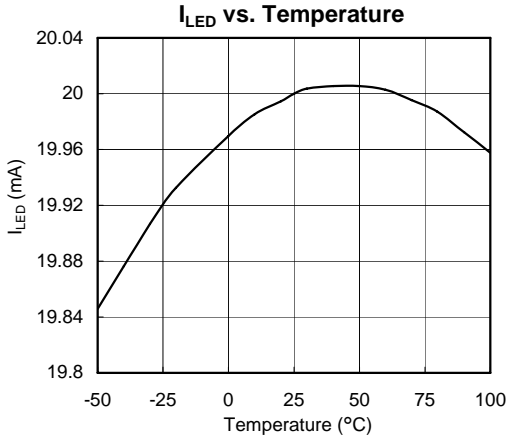
Quiescent Current vs. Temperature



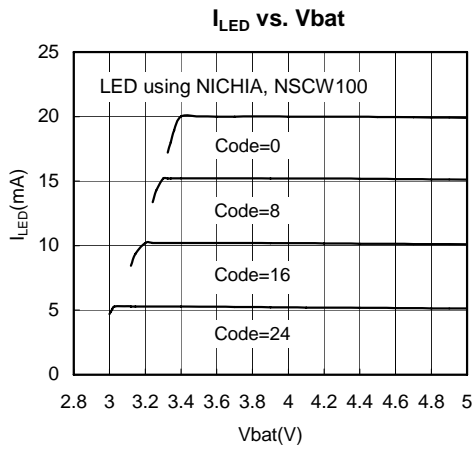
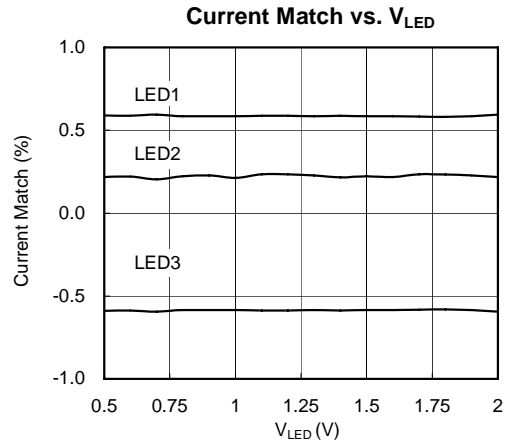
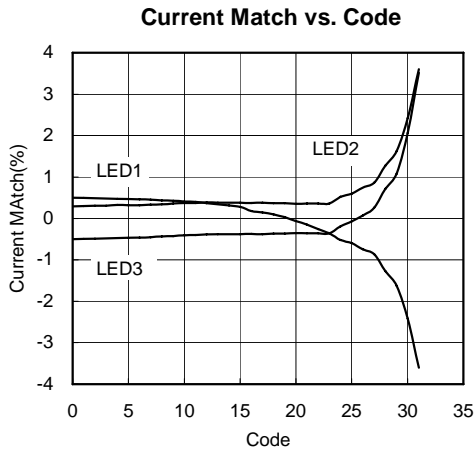
Quiescent Current vs. V_{CC}



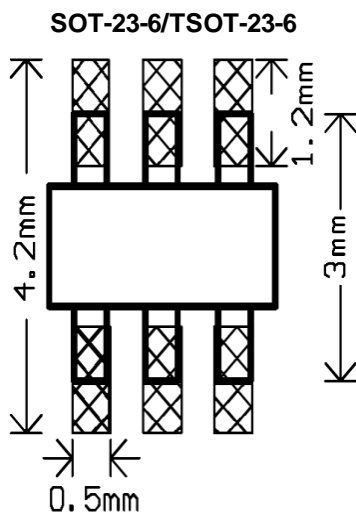
Typical Performance Characteristics (continued)



Typical Performance Characteristics (continued)



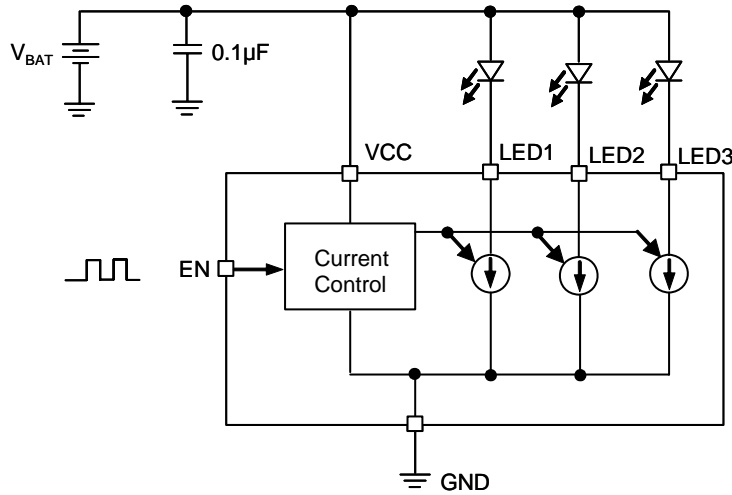
Recommended Minimum Footprint



Pin Descriptions

PIN	NAME	FUNCTION
SOT-23-6/TSOT-23-6		
1	LED2	LED2 bias current input.
2	GND	Ground.
3	LED3	LED3 bias current input.
4	EN	Enable Dimming control.
5	VCC	Power supply.
6	LED1	LED1 bias current input.

Block Diagram



Function Description

G5920 LED pins act as well matched current source driving LED diode to ground. An EN pin is used to turn on and turn off G5920.

When applying a lower frequency (less than 2kHz) PWM waveform to EN pin, the average LED current will be duty*20mA(typical). Refer to Fig.1

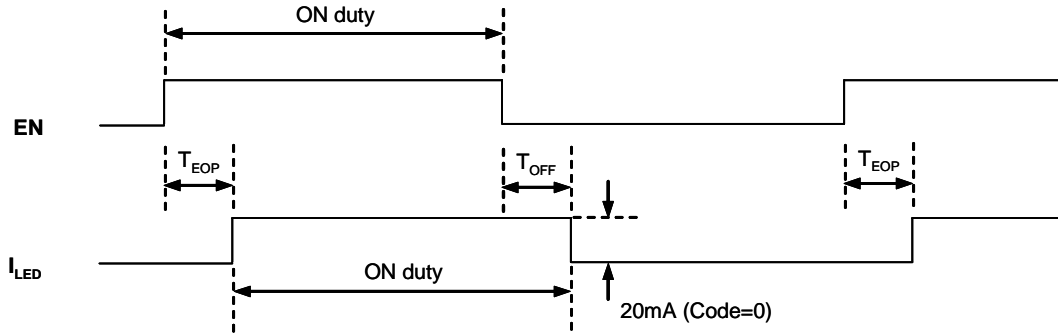


Fig.1 Turn ON to PWM dimming

If the application is not suitable to apply such a low frequency PWM dimming waveform, this EN pin can be negatively pulsed to set continuous LED current. When no negative pulse is input to EN pin (Code=0), the internal register will be latched to set the maximum

LED current, typically 20mA. Whenever input N negative pulses to the EN pin, it will get a LED current corresponding to Code N. In this manner, LED current will be changed from previous value to new value after the last pulse for typical 80μs (T_{EOP}). Please refer to Fig.2

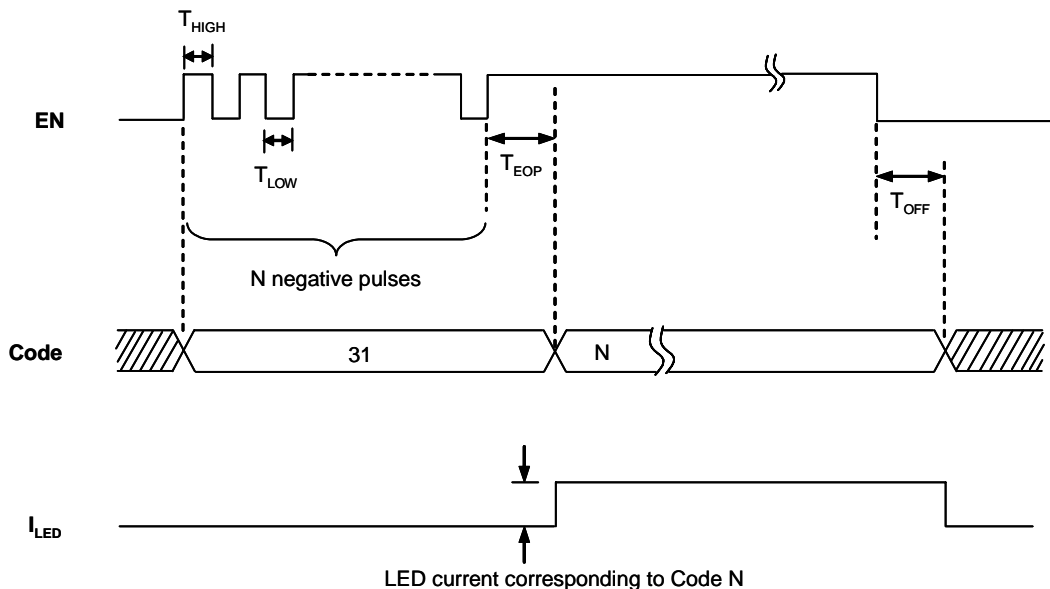
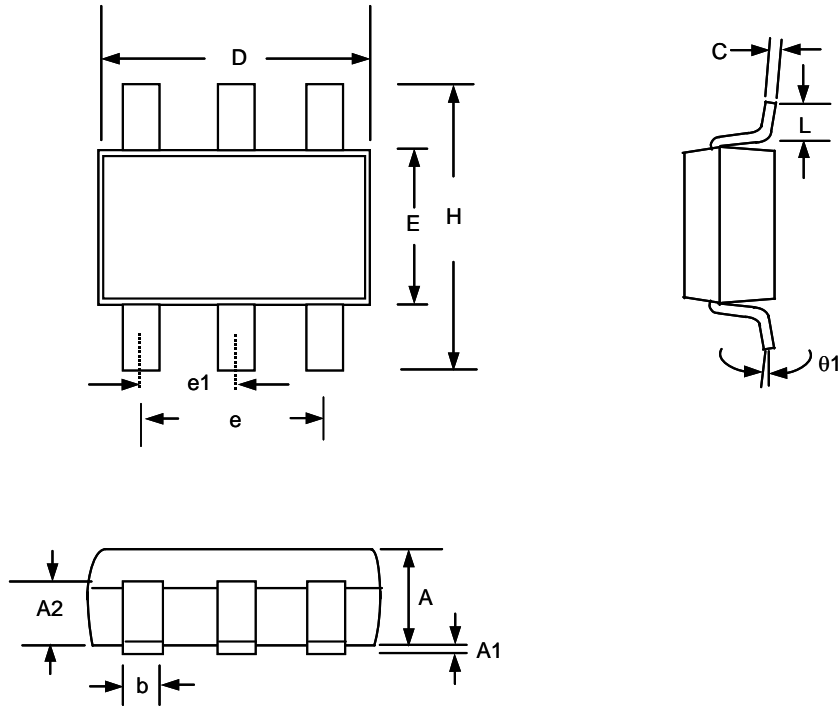


Fig.2 Turn ON and config Code N

Package Information

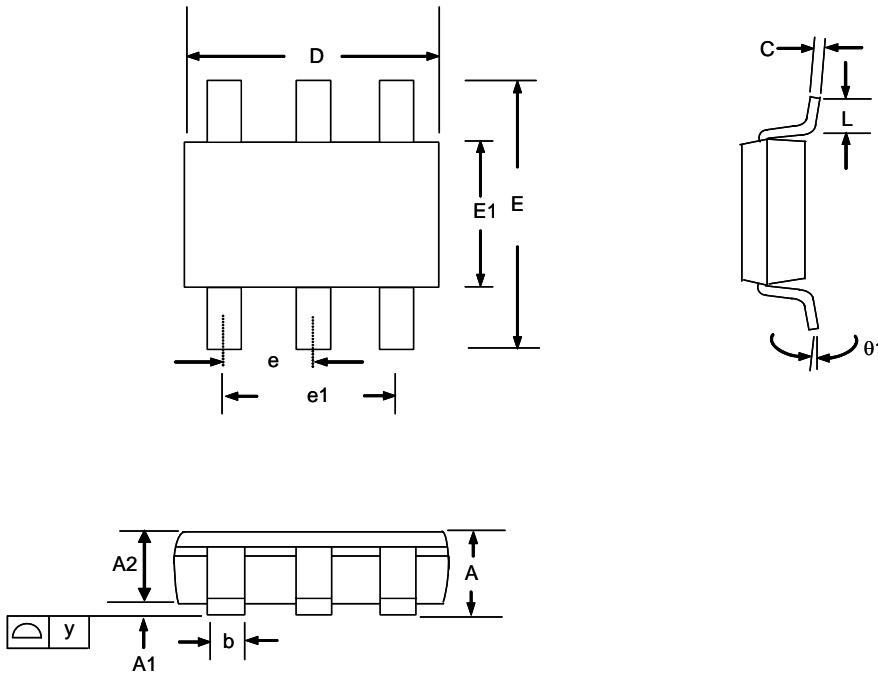


SOT-23-6 (TB) Package

Note:

1. Package body sizes exclude mold flash protrusions or gate burrs
2. Tolerance ± 0.1000 mm (4mil) unless otherwise specified
3. Coplanarity: 0.1000mm
4. Dimension L is measured in gage plane

SYMBOL	DIMENSION IN MM			DIMENSION IN INCH		
	MIN.	NOM.	MAX.	MIN.	NOM.	MAX.
A	1.00	1.10	1.30	0.039	0.043	0.051
A1	0.00	-----	0.10	0.000	-----	0.004
A2	0.70	0.80	0.90	0.028	0.031	0.035
b	0.35	0.40	0.50	0.014	0.016	0.020
C	0.10	0.15	0.25	0.004	0.006	0.010
D	2.70	2.90	3.10	0.106	0.114	0.122
E	1.40	1.60	1.80	0.055	0.063	0.071
e	-----	1.90(TYP)	-----	-----	0.075(TYP)	-----
e1	-----	0.95	-----	-----	0.037	-----
H	2.60	2.80	3.00	0.102	0.110	0.118
L	0.37	-----	-----	0.015	-----	-----
$\theta 1$	1°	5°	9°	1°	5°	9°



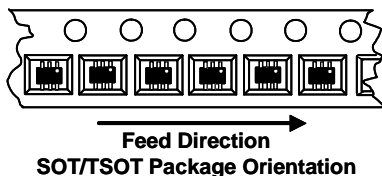
TSOT-23-6 (TP) Package

Note:

1. Dimension D does not include mold flash, protrusions or gate burrs. Mold flash, protrusions or gate burrs shall not exceed 0.1mm PER end. Dimension E1 does not include interlead flash or protrusion. Interlead flash or protrusion shall not exceed 0.15mm PER side.
2. The package top may be smaller than the package bottom. Dimensions D and E1 are determined at the outermost extremes of the plastic body exclusive of mold flash, tie bar burrs, gate burrs and interlead flash, but including any mismatch between the top and bottom of the plastic body.

SYMBOL	DIMENSION IN MM			DIMENSION IN INCH		
	MIN.	NOM.	MAX.	MIN.	NOM.	MAX.
A	0.75	-----	0.90	0.030	-----	0.035
A1	0.00	-----	0.10	0.000	-----	0.004
A2	0.70	0.75	0.80	0.028	0.030	0.031
b	0.35	-----	0.51	0.014	-----	0.020
C	0.10	-----	0.25	0.004	-----	0.010
D	2.80	2.90	3.00	0.110	0.114	0.118
E	2.60	2.80	3.00	0.102	0.110	0.118
E1	1.50	1.60	1.70	0.059	0.063	0.067
e	0.95 BSC			0.0374 BSC		
e1	1.90 BSC			0.0748 BSC		
L	0.37	-----	-----	0.015	-----	-----
y	-----	-----	0.10	-----	-----	0.004
θ1	0°	-----	8°	0°	-----	8°

Taping Specification



PACKAGE	Q'TY/REEL
SOT-23-6	3,000 ea
TSOT-23-6	3,000 ea

GMT Inc. does not assume any responsibility for use of any circuitry described, no circuit patent licenses are implied and GMT Inc. reserves the right at any time without notice to change said circuitry and specifications.

射频和天线设计培训课程推荐

易迪拓培训(www.edatop.com)由数名来自于研发第一线的资深工程师发起成立,致力并专注于微波、射频、天线设计研发人才的培养;我们于 2006 年整合合并微波 EDA 网(www.mweda.com),现已发展成为国内最大的微波射频和天线设计人才培养基地,成功推出多套微波射频以及天线设计经典培训课程和 ADS、HFSS 等专业软件使用培训课程,广受客户好评;并先后与人民邮电出版社、电子工业出版社合作出版了多本专业图书,帮助数万名工程师提升了专业技术能力。客户遍布中兴通讯、研通高频、埃威航电、国人通信等多家国内知名公司,以及台湾工业技术研究院、永业科技、全一电子等多家台湾地区企业。

易迪拓培训课程列表: <http://www.edatop.com/peixun/rfe/129.html>



射频工程师养成培训课程套装

该套装精选了射频专业基础培训课程、射频仿真设计培训课程和射频电路测量培训课程三个类别共 30 门视频培训课程和 3 本图书教材;旨在引领学员全面学习一个射频工程师需要熟悉、理解和掌握的专业知识和研发设计能力。通过套装的学习,能够让学员完全达到和胜任一个合格的射频工程师的要求...

课程网址: <http://www.edatop.com/peixun/rfe/110.html>

ADS 学习培训课程套装

该套装是迄今国内最全面、最权威的 ADS 培训教程,共包含 10 门 ADS 学习培训课程。课程是由具有多年 ADS 使用经验的微波射频与通信系统设计领域资深专家讲解,并多结合设计实例,由浅入深、详细而又全面地讲解了 ADS 在微波射频电路设计、通信系统设计和电磁仿真设计方面的内容。能让您在最短的时间内学会使用 ADS,迅速提升个人技术能力,把 ADS 真正应用到实际研发工作中去,成为 ADS 设计专家...



课程网址: <http://www.edatop.com/peixun/ads/13.html>



HFSS 学习培训课程套装

该套课程套装包含了本站全部 HFSS 培训课程,是迄今国内最全面、最专业的 HFSS 培训教程套装,可以帮助您从零开始,全面深入学习 HFSS 的各项功能和在多个方面的工程应用。购买套装,更可超值赠送 3 个月免费学习答疑,随时解答您学习过程中遇到的棘手问题,让您的 HFSS 学习更加轻松顺畅...

课程网址: <http://www.edatop.com/peixun/hfss/11.html>

CST 学习培训课程套装

该培训套装由易迪拓培训联合微波 EDA 网共同推出,是最全面、系统、专业的 CST 微波工作室培训课程套装,所有课程都由经验丰富的专家授课,视频教学,可以帮助您从零开始,全面系统地学习 CST 微波工作的各项功能及其在微波射频、天线设计等领域的设计应用。且购买该套装,还可超值赠送 3 个月免费学习答疑...

课程网址: <http://www.edatop.com/peixun/cst/24.html>



HFSS 天线设计培训课程套装

套装包含 6 门视频课程和 1 本图书,课程从基础讲起,内容由浅入深,理论介绍和实际操作讲解相结合,全面系统的讲解了 HFSS 天线设计的全过程。是国内最全面、最专业的 HFSS 天线设计课程,可以帮助您快速学习掌握如何使用 HFSS 设计天线,让天线设计不再难...

课程网址: <http://www.edatop.com/peixun/hfss/122.html>

13.56MHz NFC/RFID 线圈天线设计培训课程套装

套装包含 4 门视频培训课程,培训将 13.56MHz 线圈天线设计原理和仿真设计实践相结合,全面系统地讲解了 13.56MHz 线圈天线的工作原理、设计方法、设计考量以及使用 HFSS 和 CST 仿真分析线圈天线的具体操作,同时还介绍了 13.56MHz 线圈天线匹配电路的设计和调试。通过该套课程的学习,可以帮助您快速学习掌握 13.56MHz 线圈天线及其匹配电路的原理、设计和调试...

详情浏览: <http://www.edatop.com/peixun/antenna/116.html>



我们的课程优势:

- ※ 成立于 2004 年,10 多年丰富的行业经验,
- ※ 一直致力并专注于微波射频和天线设计工程师的培养,更了解该行业对人才的要求
- ※ 经验丰富的一线资深工程师讲授,结合实际工程案例,直观、实用、易学

联系我们:

- ※ 易迪拓培训官网: <http://www.edatop.com>
- ※ 微波 EDA 网: <http://www.mweda.com>
- ※ 官方淘宝店: <http://shop36920890.taobao.com>