

POWER MANAGEMENT

Final

Description

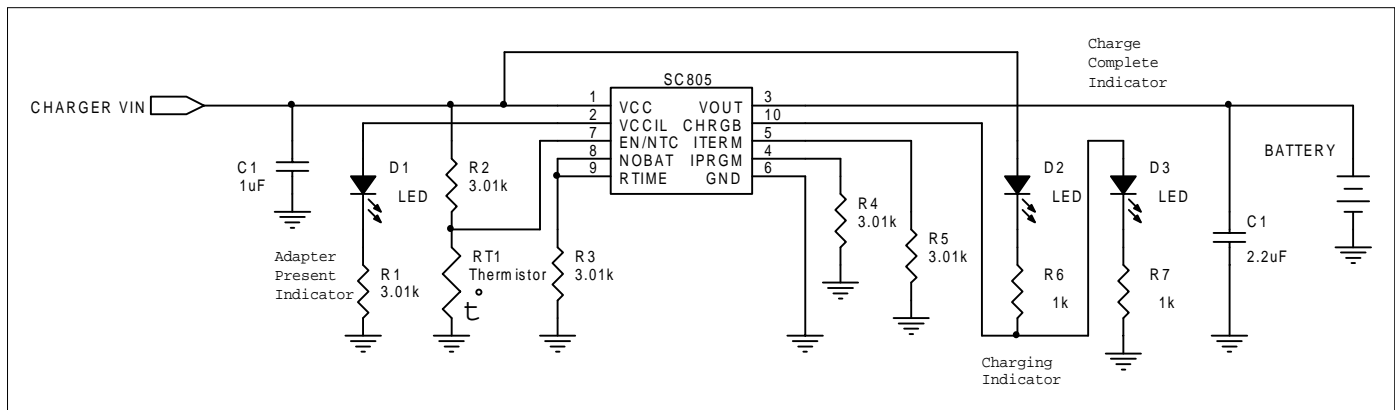
The SC805 is a fully integrated, single cell, constant-current (cc)/constant-voltage (cv) Lithium-Ion battery charger in a tiny 3x3 mm thermally enhanced lead free MLP package. The SC805 can operate as a stand-alone charger or in conjunction with a Power Management Controller (PMIC).

The SC805 has a pre-charge function for trickle charging deeply discharged batteries. The fast charge current is enabled automatically when the battery voltage reaches the required threshold. When the battery reaches the constant voltage or CV portion of the charge curve the SC805 switches to CV regulation mode. In this mode the output current decays until the termination current is reached. At this point the SC805 signals the charge cycle is complete. The charger can be configured to continue charging for a predetermined time or turn off when the termination current is reached. After the charger turns off the output device, the SC805 enters monitor mode. If the battery voltage drops by 100mV from the CV voltage a new charge cycle will begin. The timer function also protects against charging faulty batteries by turning off if the pre-charge time exceeds 1/4 of the total programmed charge duration.

The SC805 also provides battery detection, NTC interface, and a buffered output for driving system loads from the adapter input supply.

The SC805 can also function as a general purpose current source or as a current source for charging nickel-cadmium (NiCd) and nickel-metal-hydride (NiMH) batteries.

Typical Application Circuit



Features

- ◆ Fully integrated charger with FET pass transistor, reverse-blocking diode, sense resistor and thermal protection
- ◆ High Accuracy Charge Current*
- ◆ Tiny 3mm x 3mm 10 lead MLP package
- ◆ Programmable precharge, fastcharge & termination current
- ◆ Battery voltage controlled to 1% accuracy
- ◆ Built in timer for protection and complete charging
- ◆ NTC interface with battery detection
- ◆ Soft-start for step load and adaptor plug-in
- ◆ Up to 1A continuous charge current
- ◆ Input voltage range from 3V to 6V allows seamless charging from current limited adapter
- ◆ Provides buffered adapter voltage VCCIL to power external accessories
- ◆ Battery Present detection and output indicator
- ◆ Operates in charger or LDO-mode without battery
- ◆ 0.1µA battery drain current in shutdown and monitor modes
- ◆ Over current protection in all charging modes
- ◆ CHRGB output communicates charging and end of charge cycle

*Patent Pending

Applications

- ◆ Cellular phones
- ◆ PDA's
- ◆ Handheld meters
- ◆ Charging stations
- ◆ USB chargers
- ◆ Digital cameras
- ◆ Programmable current source

POWER MANAGEMENT
Final
Absolute Maximum Ratings

Exceeding the specifications below may result in permanent damage to the device, or device malfunction. Operation outside of the parameters specified in the Electrical Characteristics section is not implied.

Parameter	Symbol	Maximum	Units
VCC, VCCIL, EN/NTC to GND		-0.3 to 7.0	V
VOOUT, NOBAT, IPRGM, CHRGB, ITERM, RTIME to GND		-0.3 to +6.0	V
Power Dissipation MLP (Derate 20mW/ °C above 85°C)	Pd	2	W
Thermal Impedance, Junction to Case	θ_{JA}	50*	°C/W
Junction Temperature	Tjmax	150	°C
Operating Ambient Temperature Range	T _A	-40 to +85	°C
Peak IR Reflow temperature, soldering 20s-40s	T _{LEAD}	260	°C
Storage Temperature Range	T _{STG}	-65 to 150	°C
VOOUT short to GND		Continuous	A
VCCIL**, VOOUT Output Current	ICCL	1	A

Electrical Characteristics

Unless otherwise noted: VCC = 4.75V - 5.25V

Parameter	Symbol	Conditions	25°C			T _A (-40°C to +85°C)		Units
			Min	Typ	Max	Min	Max	
Input Voltage				5		3.15	5.9	V
Operating Current	ICC _{DIS}	Shutdown Mode, EN = 0		0.1			1	µA
	ICC _{CHG}	Charging Mode CHRGB, ITERM, IPRG = 0µA		1.2			2.25	mA
Battery Leakage Current	Ileak _{BAT}	VCC = 0V		0.1			1	µA
Regulated Voltage	VBAT***			4.20		4.16	4.24	V
Battery Pre-Charge Current	IPREQ	ITERM Resistor R = 3.01k		50		44	54	mA
Battery Termination Current	ITERMQ			50		44.5	53.5	
Battery Fast-Charge Current	IFastQ ₁ IFastQ ₂	IPRGM = 15k IPRGM = 1.87k VBATTERY = 3.8V Dropout Voltage = 550mV		100 787		91.5 -5	111.5 +5	mA %
Battery Fast-Charge Max Current Limit		2.8V < VBATTERY < VBAT					1.0	A
Iprog Regulated Voltage	V _{IPRGM}			1.5		1.4	1.6	V
Iterm Regulated Voltage	V _{ITERM}			1.5		1.4	1.6	V

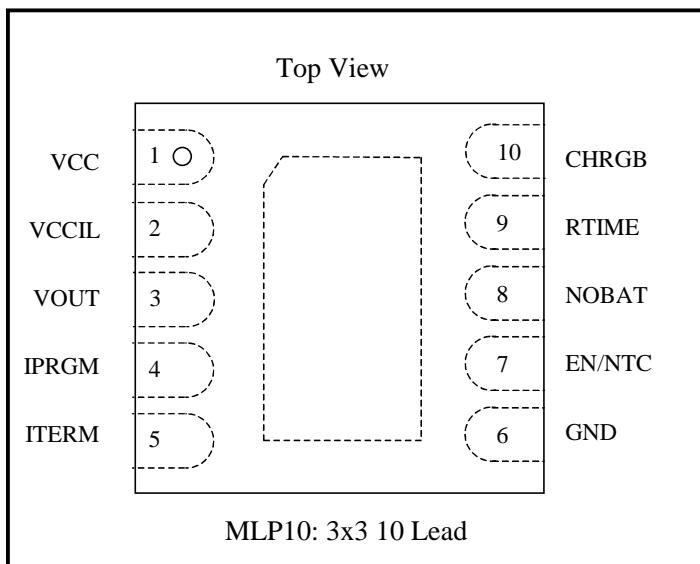
POWER MANAGEMENT
Final
Electrical Characteristics (Cont.)

Parameter	Symbol	Conditions	25°C			T _A (-40°C to +85°C)		Units
			Min	Typ	Max	Min	Max	
Vin OVP Rising Threshold	VT _{OVR}			6.8		6.4	7.5	V
Vin OVP Falling Threshold	VT _{OVF}			6.4	6.0	5.9	7.15	V
Vin OVP Hysteresis	VT _{OVPH}			375		150		mV
Vin UVLO Rising Threshold	VT _{UVLOR}			2.8		2.55	3.15	V
Vin UVLO Falling Threshold	VT _{UVLOF}			2.75		2.5	3.1	V
Vin UVLO Hysteresis	VT _{UVLOH}			50		30		mV
Vbat Precharge Threshold	VT _{PREQR}			2.8		2.7	2.9	V
Vbat Recharge Threshold	VT _{REQ}	VBAT - VBATTERY		100		60	140	mV
Pre-Charge Fault Time-out	T _{PQFAULT}	Rtime=39.2k		38		30.7	44.7	min
Charge Complete Time-out	T _{FASTQ}	Rtime=39.2k		2.5		2.0	3.0	hrs
Timer Disable Threshold	VT _{TIMER}	Rtime VIL Voltage		1.0		0.7		V
LDO-Mode Select Threshold	VT _{INTTS}	VCC-RTIME Voltage		1.1		0.7		V
En-NTC Thresholds	VT _{DIS}	SC805 disable		< 1.1		0.7		V
	VT _{NTCH}	NTC Hot Vth V _{CC} =5		0.3V _{CC}		0.294- V _{CC}	0.314V _{CC}	V
	VT _{NTCC}	NTC Cold Vth V _{CC} =5		0.75V _{CC}		0.736- V _{CC}	0.756V _{CC}	V
	VT _{NOBAT}	No Battery Detect V _{CC} =5		0.95V _{CC}		0.93V _{CC}	0.97V _{CC}	V
	NTC _{HYS}	Hot/Cold Hysteresis		50				mV
Over Temperature Shutdown	OT	Hysteresis = 10 °C		150				°C
CHRGB LED output	VCB _{VOH}	Charge Complete I _{src} =2mA,		4.5		4.3	5.0	V
	VCB _{VOL}	Charging I _{snk} =2mA		0.2		0.05	0.5	V
	ICB _{OFF}	Disable or LDO-mode off leakage		0.1			1.0	µA
NoBat output	VNB _{VOH}	EN=VCC, I _{src} =1mA		4.8		4.5		V
	INB _{OFF}	EN=VCC/2 off leakage		0.1			1.0	µA
VCCIL Resistance	VCCIL _R	R VCC to VCCIL, I=100mA		0.2				ohm
Reduced Fastcharge Current	I _{fqRed}	Vout=3.8v, Rprog=1.87k VCCIL load = 200mA		585		545	625	mA

* Tied to PCB with 1 Square Inch, 2 Ounce Copper. T_{ja}=41°C/W using JEDEC 51 Standard

** Charge current is reduced by VCCIL current. VCCIL current is not limited by the IC

*** Vbat load=75mA. See typical performance curves for load regulation.

POWER MANAGEMENT
Final
Pin Configuration

Ordering Information

Device ⁽¹⁾	Package
SC805IMLTRT ⁽²⁾	MLP-10
SC805EVB	Evaluation Board

Note:

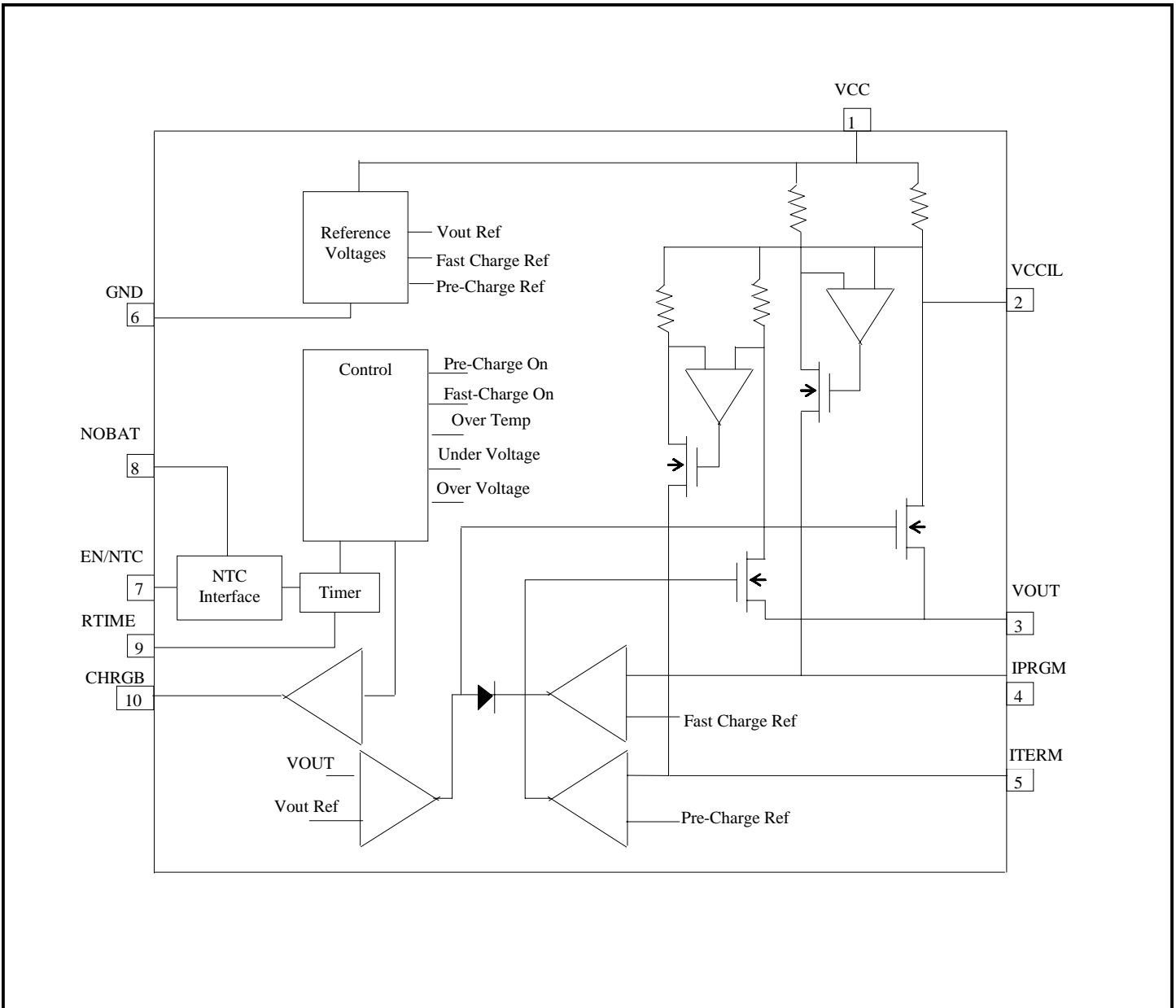
(1) Only available in tape and reel packaging. A reel contains 3,000 devices.

(2) Lead free packaging only

Pin Descriptions

Pin #	Pin Name	Pin Function
1	VCC	Supply pin, connect to adaptor power.
2	VCCIL	Adapter input voltage. This pin provides a bias voltage approximately equal to the adapter input voltage. The output current when charging will be reduced by the load current on VCCIL.
3	VOUT	Charger output, connect to battery.
4	IPRGM	Current limit program pin for charge and LDO-mode. Requires a resistor to ground to program fast-charge current.
5	ITERM	Selection for current termination and pre-charge current. Requires a resistor to ground to program pre-charge and termination current.
6	GND	Ground
7	EN/NTC	Combined device enable/disable and NTC input pin. Logic low disables the device. Analog voltages between 0.3VCC and 0.75VCC enable the NTC function. Voltages above 0.8VCC force the NOBAT output high.
8	NOBAT	Battery Present Indicator. This output goes high when the NTC voltage exceeds 90% of VCC indicating the Battery and NTC have been removed.
9	RTIME	Charge time programming resistor. Connect a resistor between RTIME and GND to program the charge time. Force the pin to GND to disable the timer. Force the pin to VCC to select LDO-mode.
10	CHRGB	Output status indicator designed to drive two LEDs. Connect cathode of the 'charging' led to this pin to indicate charge in progress. Connect the anode of the 'charge complete' led to this pin to indicate charge complete.

Block Diagram



Applications Information
General Operation

The SC805 is configured based on the application for Fast Charge and Termination current, timing requirements, and operation with and without a battery (LDO mode). A typical charging cycle is described below. Details on alternate applications and output programmability are covered in the individual sections.

The charging cycle begins when the adapter is plugged in. The SC805 performs glitch filtering on the VCC input and initiates a charge cycle when $VCC > UVLO$. At this time, the CHRGB signal is active low turning on the charging LED. If the battery voltage is less than 2.8V, the SC805 will charge the output with the pre-charge current. When the battery voltage exceeds 2.8V, the SC805 enters fast-charge or constant current (CC) mode. When the battery voltage reaches its final value, the charger enters the constant voltage (CV) mode. In this mode the output current decreases as the battery continues to charge until the termination current level is reached.

The CHRGB pin goes high when Iout is less than Itermination turning off the 'charging' LED and turning on the 'charge complete' LED. The SC805 continues to hold the battery in CV charge mode until the timer expires. At this point the charger enters the monitor mode where the output remains off until Vout drops by 100mV and a new charge cycle is initiated.

Pre-Charge Mode

Pre-charge mode is automatically enabled whenever the battery voltage is below 2.8V. It is used to limit the power dissipation and precondition the battery for fast charging. The pre-charge current value is selected by the resistor on the ITERM pin. The pre-charge current is programmable from 10mA to 125mA. The equation to select the pre-charge current is given by:

$$PCI = \left(\frac{1.5}{R_{TERM}} \right) \cdot 100$$

If the charge timer is in use there is also a maximum allowed pre-charge duration. If the pre-charge time exceeds 1/4 of the total charge cycle the charger will turn off due to a pre-charge fault. This fault is cleared when EN or VCC is toggled or the output voltage rises above 2.8V.

Fast-Charge Mode (CC)

The fast-charge or CC mode is active when the battery voltage is above 2.8V and less than the CV or final float charge voltage of the battery. The fast-charge current can be set to a maximum of 1.0A and is selected by the program resistor on the IPRGM pin. The voltage on this pin will represent the current through the battery enabling a microprocessor via an analog-to-digital converter (ADC) to monitor battery current by sensing the voltage on the IPRGM pin. The equation to set the fast-charge current is given by:

$$FCI = \left(\frac{1.5}{R_{PRGM}} \right) \cdot 1000$$

Note that for a given program resistor the current through the battery in CV mode can be determined by replacing 1.5 with the actual voltage on the IPRGM pin in the above equation.

Termination Current

Once the battery reaches the program voltage of 4.2V the device will transition from a constant current source to a constant voltage source and the current through the battery begins to decrease while the voltage remains constant. When the current falls below the programmed termination current set by the termination resistor on the ITERM pin, the SC805 will transition the CHRGB pin from low to high. If the timer is enabled the output will continue to float charge in CV mode until the timer expires. If the timer is disabled than the output will turn off as soon as the termination current level is reached. If the part is in LDO mode the SC805 will remain on indefinitely at the regulated CV voltage. The equation to set the termination current is given by:

$$ITERM = \left(\frac{1.5}{R_{TERM}} \right) \cdot 100$$

Monitor Mode

When a charge cycle is completed, the SC805 output turns off and the device enters monitor mode. If the voltage of the battery falls below the recharge threshold of CV-100mV the charger will clear the charge timer and re-initiate a charge cycle. The maximum current drain of the battery during monitor mode will be no more than 1uA over temperature. The status of the charger output as a function of RTime, and IOUT is shown below.

LDO Mode

Output State	Rtime	Timer	Iout
On	VCC	N/A	N/A
On	R	T < Timer	N/A
Off	R	T > Timer	N/A
On	Low	Disabled	> Itermination
Off	Low	Disabled	< Itermination

Charge Timer

The timer on the SC805 is used as protection in the case of a faulty battery and to maximize charging capacity. Connect a resistor from the RTIME pin to GND to select the desired charge time duration according to the following equation.

$$\text{Charge Time} = \left(\frac{R_{\text{TIME}}}{39.2k} \right) \cdot 2.5\text{hrs}$$

The timer is programmable over the range of 1 to 10 hrs. To disable the charge timer connect RTIME to GND. Driving the RTIME pin to VCC will disable the timer and select LDO-mode operation for the SC805. One implementation of this feature is discussed in the NOBAT operating section.

The SC805 will automatically turn off the output when the charge timer times out.

NOBAT output

The SC805 detects the absence of the battery by monitoring the voltage on the NTC pin. When the NTC pin voltage exceeds 90% of VCC the NOBAT output is driven high. This function utilizes the standard NTC configuration with the NTC component residing in the battery pack. When the battery is removed the NTC element in the resistor divider is missing and the NTC voltage is pulled up to VCC.

The NOBAT output can be used to signal the system that the battery has been removed, drive an external LED, or fed back to the SC805 to select LDO-mode.

Connect the NOBAT pin to the RTIME pin to select LDO mode when the battery is removed and re-enable the output of the SC805.

The SC805 is designed to work with or without a battery. If the battery is not in place the device can enter LDO mode. In this mode the SC805 will act like a low dropout regulator. The input pin RTIME is used to select LDO mode. If RTIME is high the device will be in LDO mode. When LDO-mode is selected and the EN-NTC pin is greater than 90% of VCC the output will be on in LDO mode. During LDO mode the device will regulate the output voltage with a current limit set by the resistor tied to the IPRGM pin.

EN-NTC Interface

The Enable pin on the SC805 provides three functions; device disable, battery detection, and NTC temperature protection. It can be used to turn off the device by driving the pin to Ground. It can also be connected to an external resistor divider consisting of a resistor and an NTC Thermistor to disable the charge cycle when the temperature is out of range. If the pin is pulled to VCC the SC805 will signal a 'No Battery' condition on the NOBAT pin. Note that the SC805 will be disabled due to the NTC function when the 'No Battery' condition is detected due to the NTC feature. The NTC temperature fault can be overridden to re-enable the output of the charger for no battery conditions as described in the NOBAT section of the datasheet.

The NTC external component configuration is shown in the typical application schematic on page 1 of the datasheet. When the NTC voltage from the divider is above or below the cold and hot temperature threshold values the SC805 will suspend the charge cycle by turning off the output, freezing the charge timer, and indicating a fault on the CHRGB LED. Hysteresis is included for both hot and cold thresholds to avoid chatter at the NTC trip points. When the temperature returns to the valid range the SC805 will automatically resume the charge cycle. The charge timer will time-out when the SC805 output on-time exceeds the timer setting regardless of how long it has been disabled due to the NTC temperature. The internal NTC thresholds of 30% and 75% VCC were designed to work with Curve-2 type thermistors available from numerous vendors.

Design Example based on the typical application schematic of page 1 using a Curve 2 Vishay-Dale NTC.

Thot = 50°C
Tcold = 0°C
Find R3 and RT1

Applications Information Cont.

Step 1: Pick an RT1 value high enough to prevent self-heating.

$$RT1 \geq \frac{(V(RT1))^2}{DC}$$

In general lower values of RT1 provide more noise immunity for the NTC voltage at the expense of bias current from the input adapter. The dissipation constant DC is the power rating of the NTC resulting in a 1°C self heating error.

The DC value for this NTC is 3mW and the voltage across the NTC is 2.5V for a 5V adapter. Therefore RT1 > 2K.

$$\text{Set } RT1 = 10k$$

Step 2: Find R3 to set the correct Hot level trip point

$$R3 = 2.33 \cdot \left(R_{T25} * \left(\frac{R_{T50}}{R_{T25}} \right) \right) = 9.52k$$

The closest standard resistor value is 9.53k. RT(temp)/RT(25°C) is often referred to as the ratio at the given temp. For this NTC at 50°C the ratio is 0.4086.

Step 3: Calculate the Tcold value.

$$\left(\frac{RT_{COLD}}{RT_{25}} \right) = 3 \cdot \left(\frac{R3}{10K} \right) = 2.86$$

The ratio for the curve 2 NTC at 0°C is 2.816. The difference represents less than 1/2°C (ie actual trip would be -0.5°C instead of 0°C.) For temperature trip values other than 0°C and 50°C alternate curve-type NTC elements can be used or an additional resistor can be added to the Rntc divider to alter the temperature coefficient.

CHRGB LED Flag

The CHRGB LED driver on the SC805 can be used to drive two external LEDs: CHRGB=Low (Charging) and CHRGB=High (Charge Complete). The CHRGB output will be high impedance when the VCC is in a UV condition. The Table below defines the CHRGB LED output states.

LED	High	Low	High-Z	Blinking
CHRGB	Iout < Iterm	Iout > Iterm	VCC<UV	PreCharge OV or NTC Fault

The CHRGB output can be used for a VCC indicator. When the SC805 is enabled the CHRGB output is either high or low providing the VCC input is above UVLO.

The CHRGB output signifies the charging status. When the output current is > Itermination, CHRGB=low. CHRGB is high when Iout is < Itermination. The CHRGB output is latched high at the end of the charge cycle when the output current is less than Itermination. The CHRGB output will remain high until the timer expires and vbatt enters a re-charge cycle, or if EN, or VCC are toggled. The CHRGB indicator operates the same way in both charge and LDO mode.

The CHRGB output can be used for a VCC indicator. When the SC805 is enabled the CHRGB output is either high or low providing the VCC input is above UVLO. Alternately an LED connected to VCCIL can be used for a VCC indicator as shown in the typical application schematic on the front page of the datasheet.

There are five fault modes detected by the SC805; (Input under voltage, input over voltage, NTC temperature, Max die temperature or OT and pre-charge timeout). The LED states for these fault modes are shown below.

Fault	CHRGB
VCC UVLO	High-Z
VCC OVP	Blinking
NTC Fault	Blinking
Pre-Charge Time-out	Blinking
Tj > 150°C	Blinking

Overcurrent and Max Temperature Protection

Overcurrent protection is inherent in all modes of operation. When the device is in charge-mode the output is current limited to either the pre-charge current limit value or the fast charge current limit value depending on the voltage at the output. When the device is in LDO mode the output current is limited to the fast charge current limit. Max die temperature protection is included on the SC805. This feature allows the SC805 to operate with maximum power dissipation by disabling the output current when the die temperature reaches OT. The result is that the SC805 will operate as a pulse charger in extreme power dissipation applications delivering the maximum allowable output current while regulating the internal die temperature to a safe level.

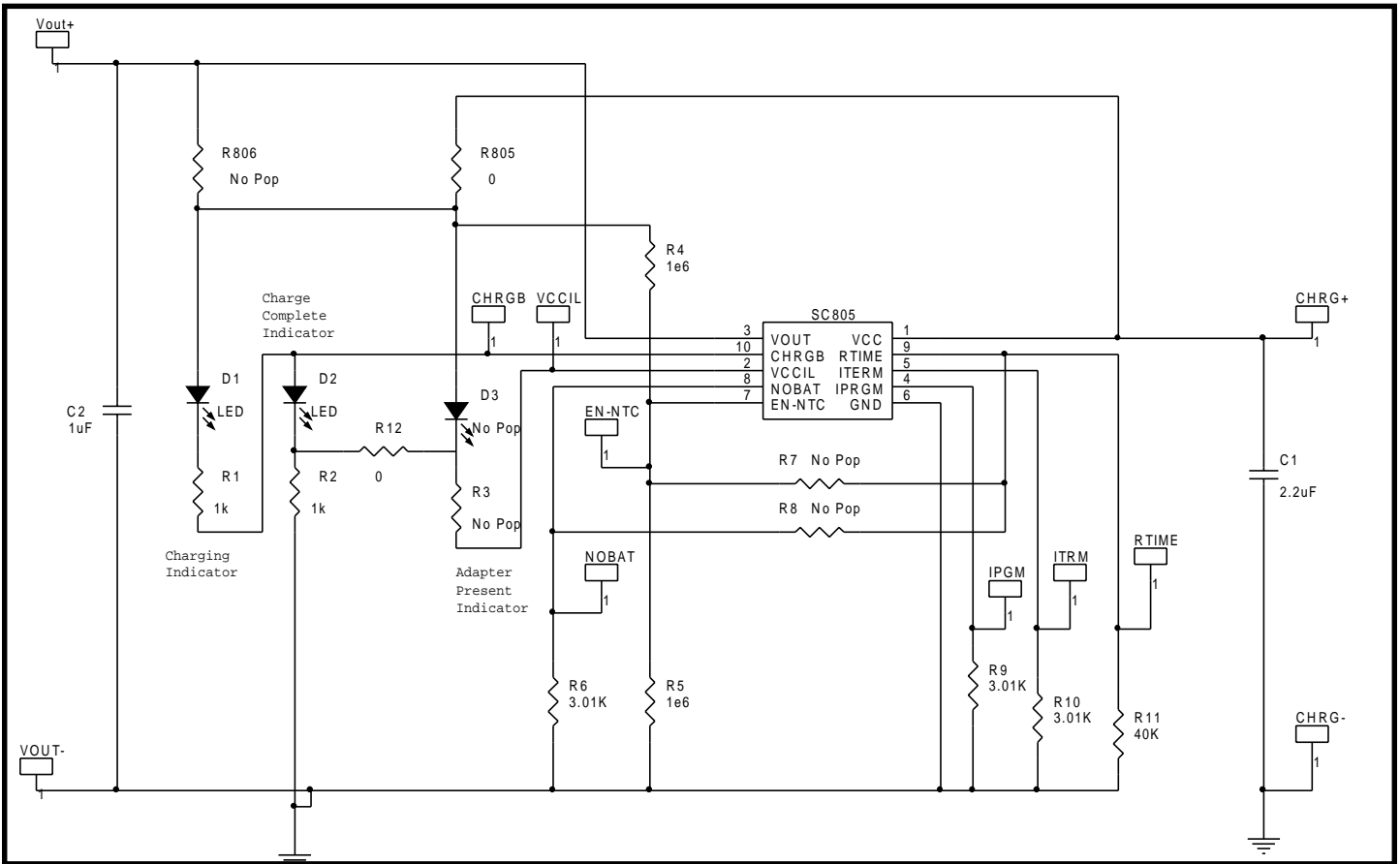
Layout Guidelines

The two most critical aspects of the pcb layout are the power path and thermal layout. The power path starts at the Adapter + input and runs to the VCC input of the SC805, then from the Vout pin of the SC805 to the Battery + terminal, and completes with the return trace from the battery - terminal to the adapter - input. All of these traces need to be designed to handle the required charging current. The trace from Vout of the SC805 is most critical and should be made as wide as possible to minimize IR drops between the regulated voltage at the SC805 vout pin and the battery terminal. Keep the Adapter+ to SC805 VCC input trace wide to minimize voltage drops that will add to the dropout voltage of the SC805. The GND pin of the SC805 should be connected in a kelvin fashion at the Battery- terminal to eliminate voltage drops in the return path which reduce the regulated battery voltage.

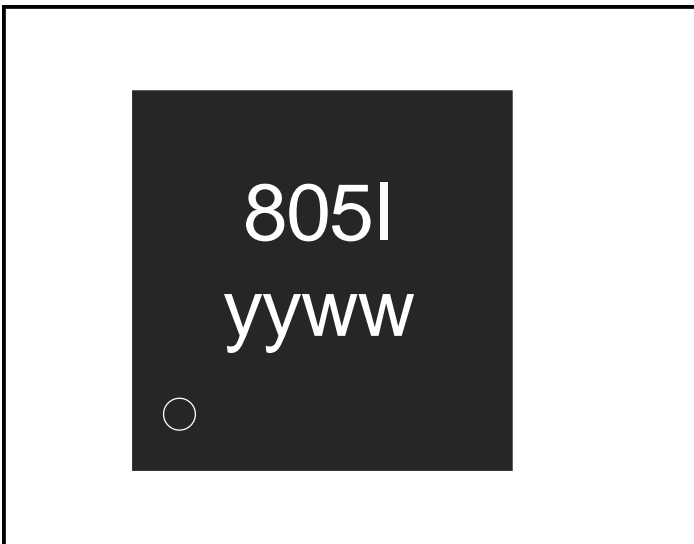
The thermal performance of the SC805 package requires a low impedance connection from the heat slug on the bottom of the package to an external ground plane. This is best accomplished by using a single large via under the device connected to a ground plane on the bottom exposed side of the pcb. The evaluation board uses 1 square inch of copper on the bottom of the pcb and is capable of 1A charging current.

The input and output bulk decoupling capacitors for the SC805 should be placed near the external terminals for the adapter and battery. This short low impedance loop is for the high current spikes that result from input/output hot-plugging of the charger. To minimize these current spikes the value of the decoupling capacitor should be minimized. A typical application requires a 0.1uF input/output capacitor. If the distance from the external terminals to the SC805 is greater than 1", 0.1u local decoupling capacitors at the SC805 may be required.

Evaluation Board Schematic



Marking Information

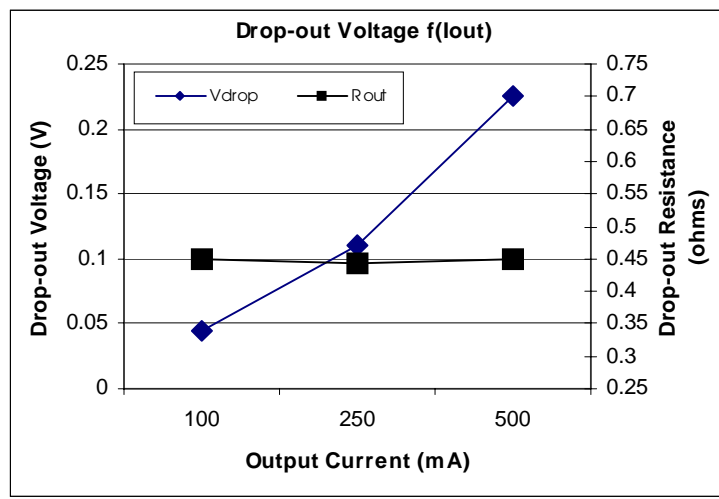
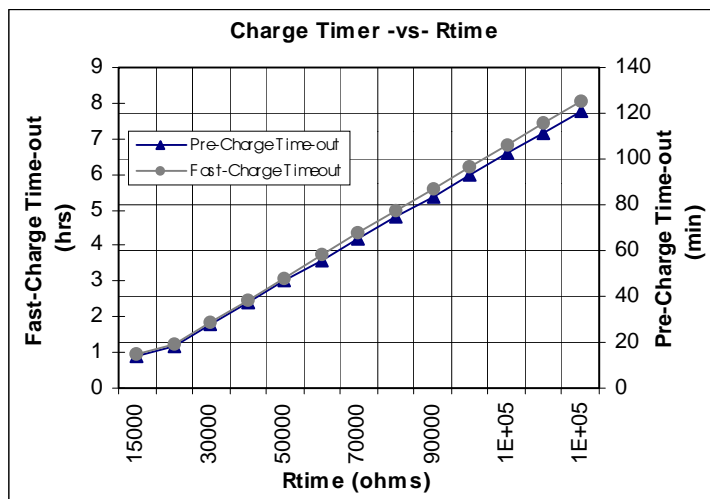
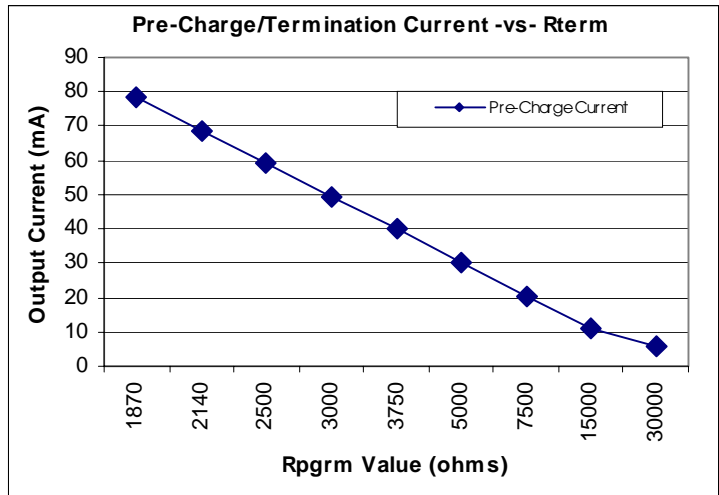
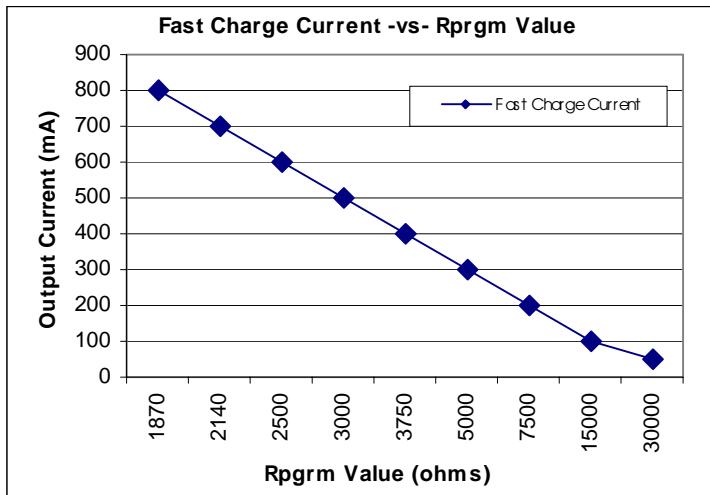
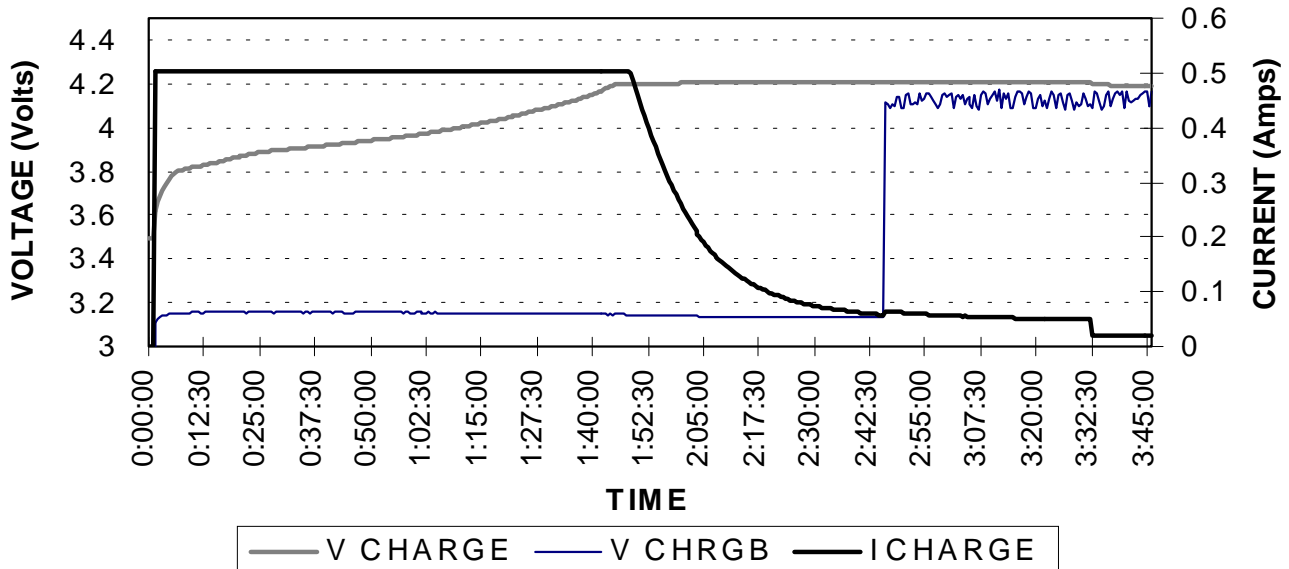


Top view.

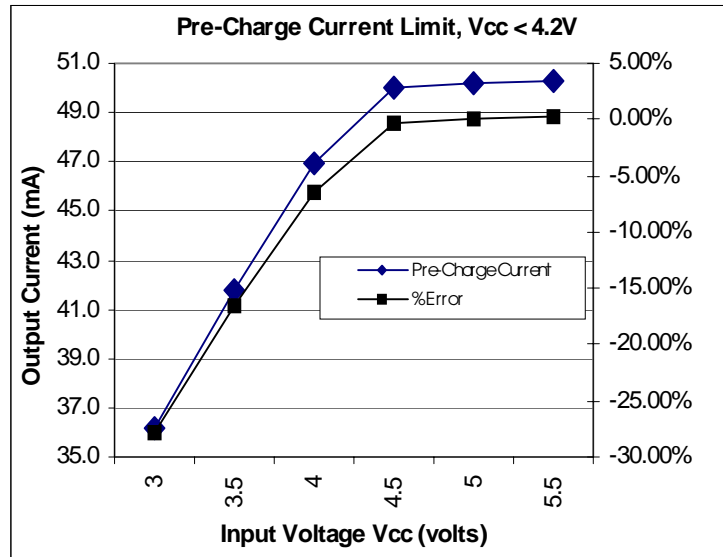
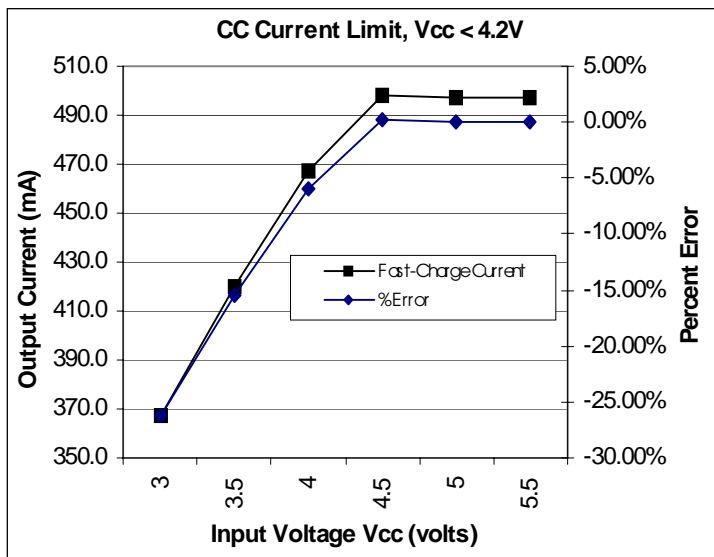
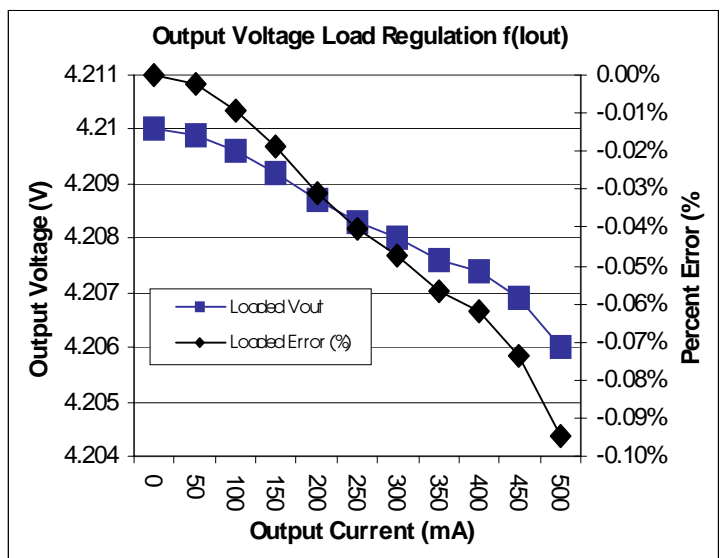
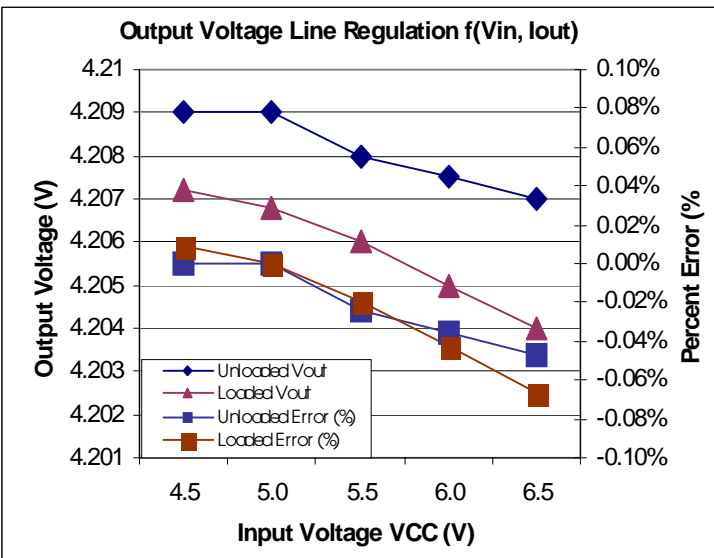
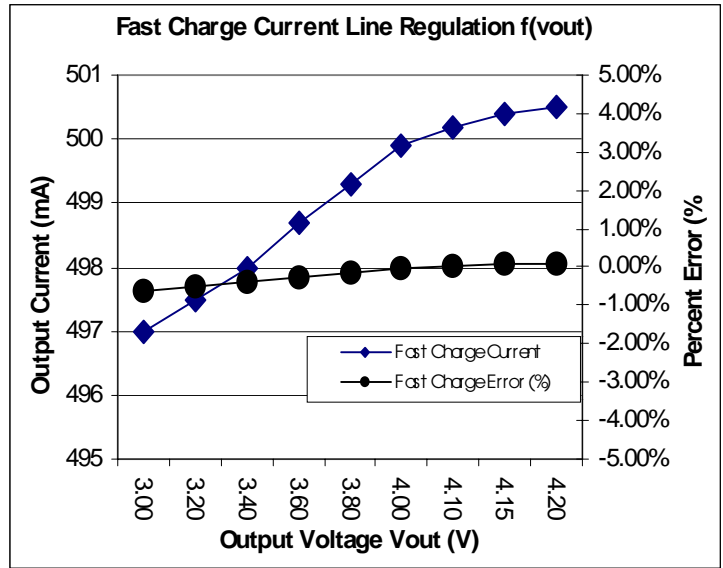
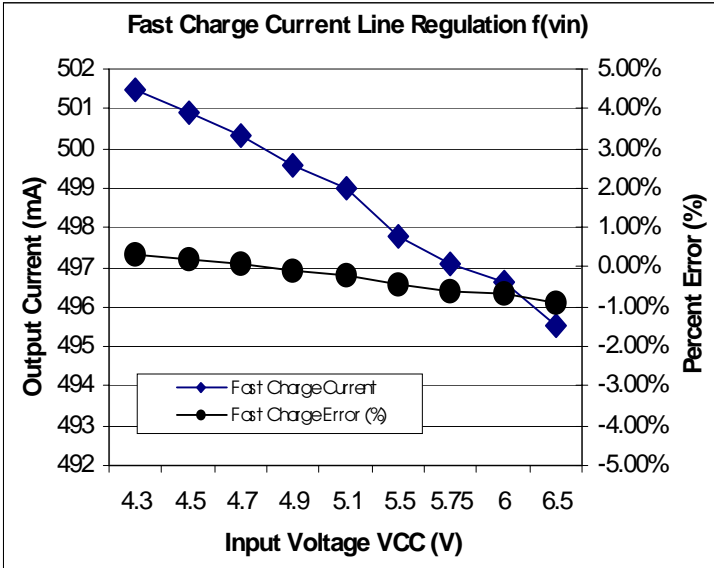
Marking for the SC805 MLP 10 Lead package: yyww =
Date Code (Example: 0349)

Typical Characteristics

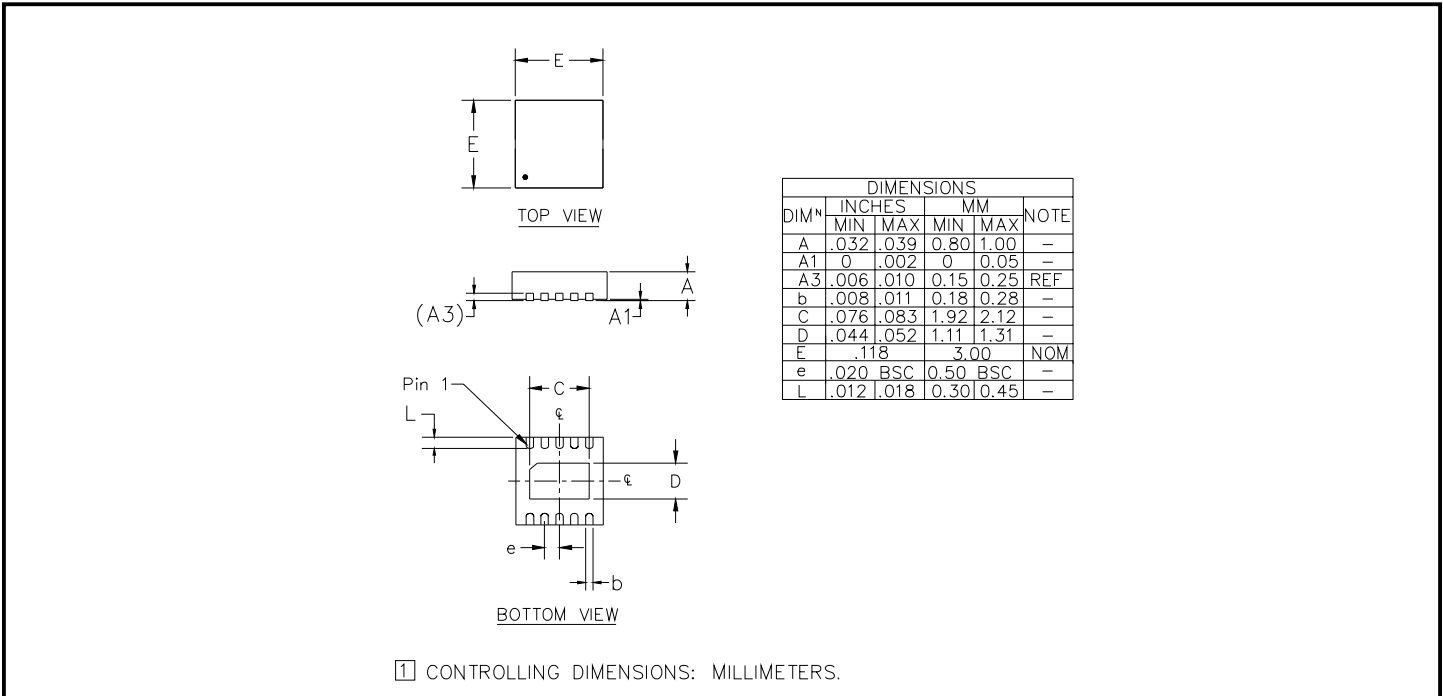
Battery Charge Profile



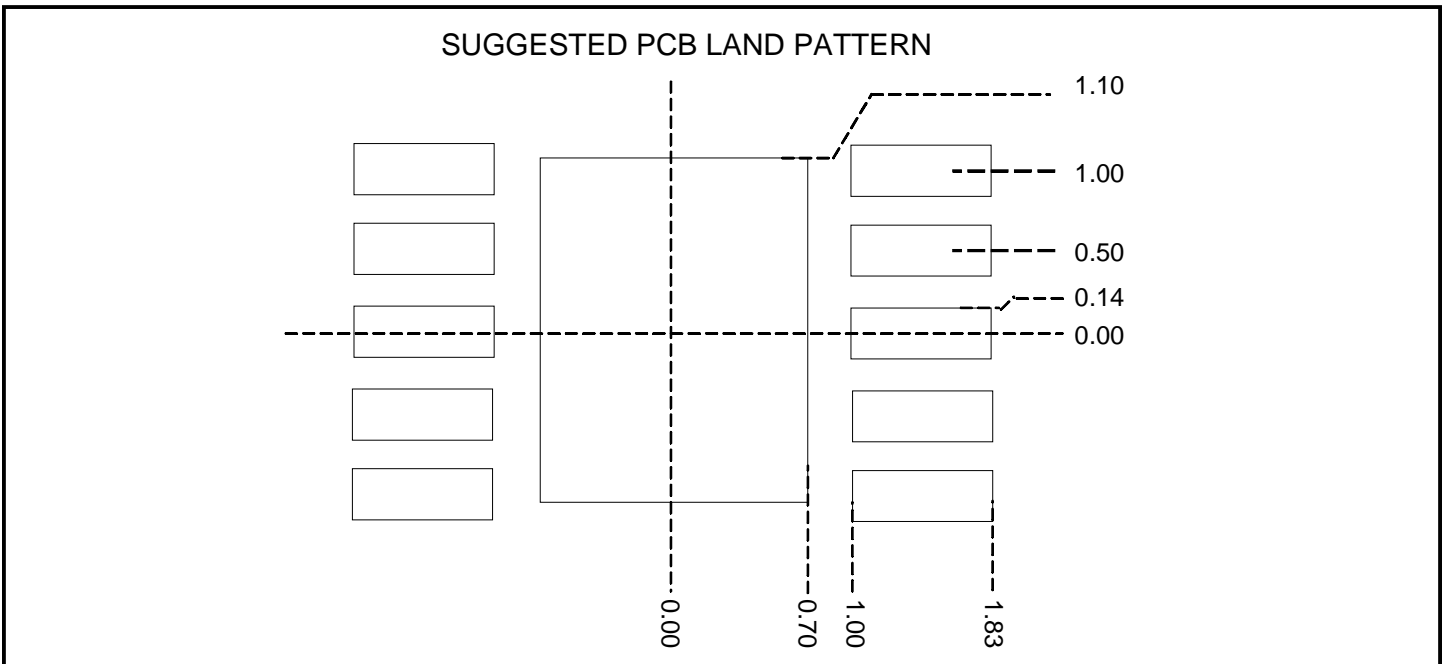
Typical Characteristics



Outline Drawing - MLP3x3-10



Land Pattern - MLP3x3-10



Contact Information

Semtech Corporation
 Power Management Products Division
 200 Flynn Road, Camarillo, CA 93012
 Phone: (805)498-2111 FAX (805)498-3804

射频和天线设计培训课程推荐

易迪拓培训(www.edatop.com)由数名来自于研发第一线的资深工程师发起成立,致力并专注于微波、射频、天线设计研发人才的培养;我们于 2006 年整合合并微波 EDA 网(www.mweda.com),现已发展成为国内最大的微波射频和天线设计人才培养基地,成功推出多套微波射频以及天线设计经典培训课程和 ADS、HFSS 等专业软件使用培训课程,广受客户好评;并先后与人民邮电出版社、电子工业出版社合作出版了多本专业图书,帮助数万名工程师提升了专业技术能力。客户遍布中兴通讯、研通高频、埃威航电、国人通信等多家国内知名公司,以及台湾工业技术研究院、永业科技、全一电子等多家台湾地区企业。

易迪拓培训课程列表: <http://www.edatop.com/peixun/rfe/129.html>



射频工程师养成培训课程套装

该套装精选了射频专业基础培训课程、射频仿真设计培训课程和射频电路测量培训课程三个类别共 30 门视频培训课程和 3 本图书教材;旨在引领学员全面学习一个射频工程师需要熟悉、理解和掌握的专业知识和研发设计能力。通过套装的学习,能够让学员完全达到和胜任一个合格的射频工程师的要求...

课程网址: <http://www.edatop.com/peixun/rfe/110.html>

ADS 学习培训课程套装

该套装是迄今国内最全面、最权威的 ADS 培训教程,共包含 10 门 ADS 学习培训课程。课程是由具有多年 ADS 使用经验的微波射频与通信系统设计领域资深专家讲解,并多结合设计实例,由浅入深、详细而又全面地讲解了 ADS 在微波射频电路设计、通信系统设计和电磁仿真设计方面的内容。能让您在最短的时间内学会使用 ADS,迅速提升个人技术能力,把 ADS 真正应用到实际研发工作中去,成为 ADS 设计专家...



课程网址: <http://www.edatop.com/peixun/ads/13.html>



HFSS 学习培训课程套装

该套课程套装包含了本站全部 HFSS 培训课程,是迄今国内最全面、最专业的 HFSS 培训教程套装,可以帮助您从零开始,全面深入学习 HFSS 的各项功能和在多个方面的工程应用。购买套装,更可超值赠送 3 个月免费学习答疑,随时解答您学习过程中遇到的棘手问题,让您的 HFSS 学习更加轻松顺畅...

课程网址: <http://www.edatop.com/peixun/hfss/11.html>

CST 学习培训课程套装

该培训套装由易迪拓培训联合微波 EDA 网共同推出,是最全面、系统、专业的 CST 微波工作室培训课程套装,所有课程都由经验丰富的专家授课,视频教学,可以帮助您从零开始,全面系统地学习 CST 微波工作的各项功能及其在微波射频、天线设计等领域的设计应用。且购买该套装,还可超值赠送 3 个月免费学习答疑...

课程网址: <http://www.edatop.com/peixun/cst/24.html>



HFSS 天线设计培训课程套装

套装包含 6 门视频课程和 1 本图书,课程从基础讲起,内容由浅入深,理论介绍和实际操作讲解相结合,全面系统的讲解了 HFSS 天线设计的全过程。是国内最全面、最专业的 HFSS 天线设计课程,可以帮助您快速学习掌握如何使用 HFSS 设计天线,让天线设计不再难...

课程网址: <http://www.edatop.com/peixun/hfss/122.html>

13.56MHz NFC/RFID 线圈天线设计培训课程套装

套装包含 4 门视频培训课程,培训将 13.56MHz 线圈天线设计原理和仿真设计实践相结合,全面系统地讲解了 13.56MHz 线圈天线的工作原理、设计方法、设计考量以及使用 HFSS 和 CST 仿真分析线圈天线的具体操作,同时还介绍了 13.56MHz 线圈天线匹配电路的设计和调试。通过该套课程的学习,可以帮助您快速学习掌握 13.56MHz 线圈天线及其匹配电路的原理、设计和调试...

详情浏览: <http://www.edatop.com/peixun/antenna/116.html>



我们的课程优势:

- ※ 成立于 2004 年,10 多年丰富的行业经验,
- ※ 一直致力并专注于微波射频和天线设计工程师的培养,更了解该行业对人才的要求
- ※ 经验丰富的一线资深工程师讲授,结合实际工程案例,直观、实用、易学

联系我们:

- ※ 易迪拓培训官网: <http://www.edatop.com>
- ※ 微波 EDA 网: <http://www.mweda.com>
- ※ 官方淘宝店: <http://shop36920890.taobao.com>