

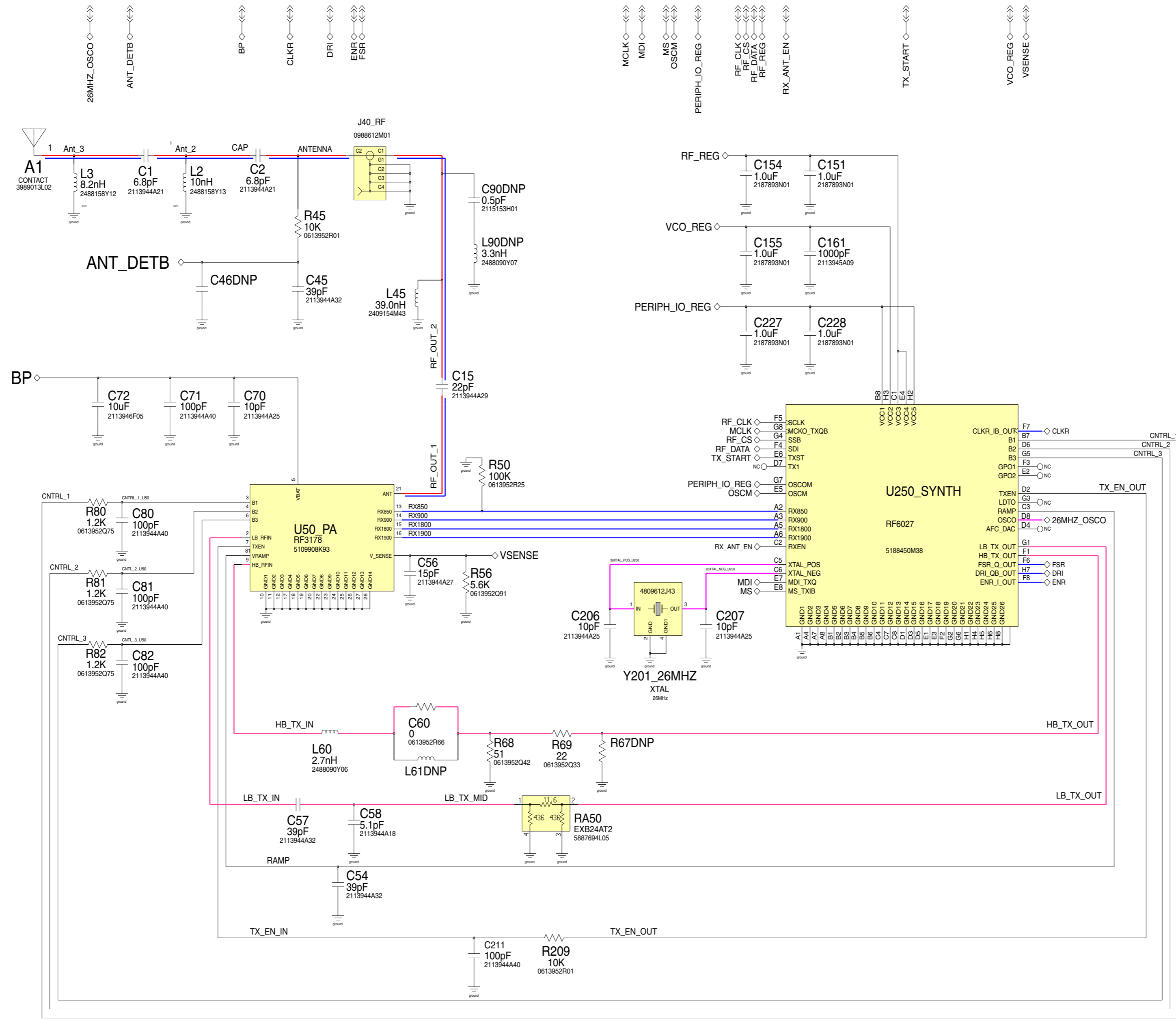
- TEST POINTS**
- AUL_CS
 - AUL_INT
 - CLK_32KHZ
 - CLK_32KHZ_2_7V
 - SIM_PD
 - USB_XRXD_RTS
 - USB_VMIN_RXD
 - USB_VPIN
 - USB_TXENB
 - USB_SEO
 - USB_VPOUT_TXD
 - BATTFET_PM
 - BPFFET_PM
 - CHRGCTRL_PM
 - CHRGCOMMON_PM

MOTOROLA
 CONFIDENTIAL PROPRIETARY
 Friday, 2 September 2005
 2:38 PM
V3i
 8489776Y02_A_3
 power_management rev. 30

V3i 8489776Y02_A_3_P03



	2005.09.06
Level 3 Schematics	Rev. 1.0
V3i	8489776Y02_A_3
Alexander Buchler, Michael Hansen	Page 1 of 5



MOTOROLA
 CONFIDENTIAL PROPRIETARY
 Friday, 2 September 2005
 2:23 PM

Print @ 11x17; B size; 1.00
 V3i 8489776Y02_A_3 rf_sheet rev. 22
 10

V3i 8489776Y02_A_3_P03



	2005.09.06
Level 3 Schematics	Rev. 1.0
V3i	8489776Y02_A_3
Alexander Buehler, Michael Hansen	Page 2 of 5

Friday, 2 September 2005

V3i

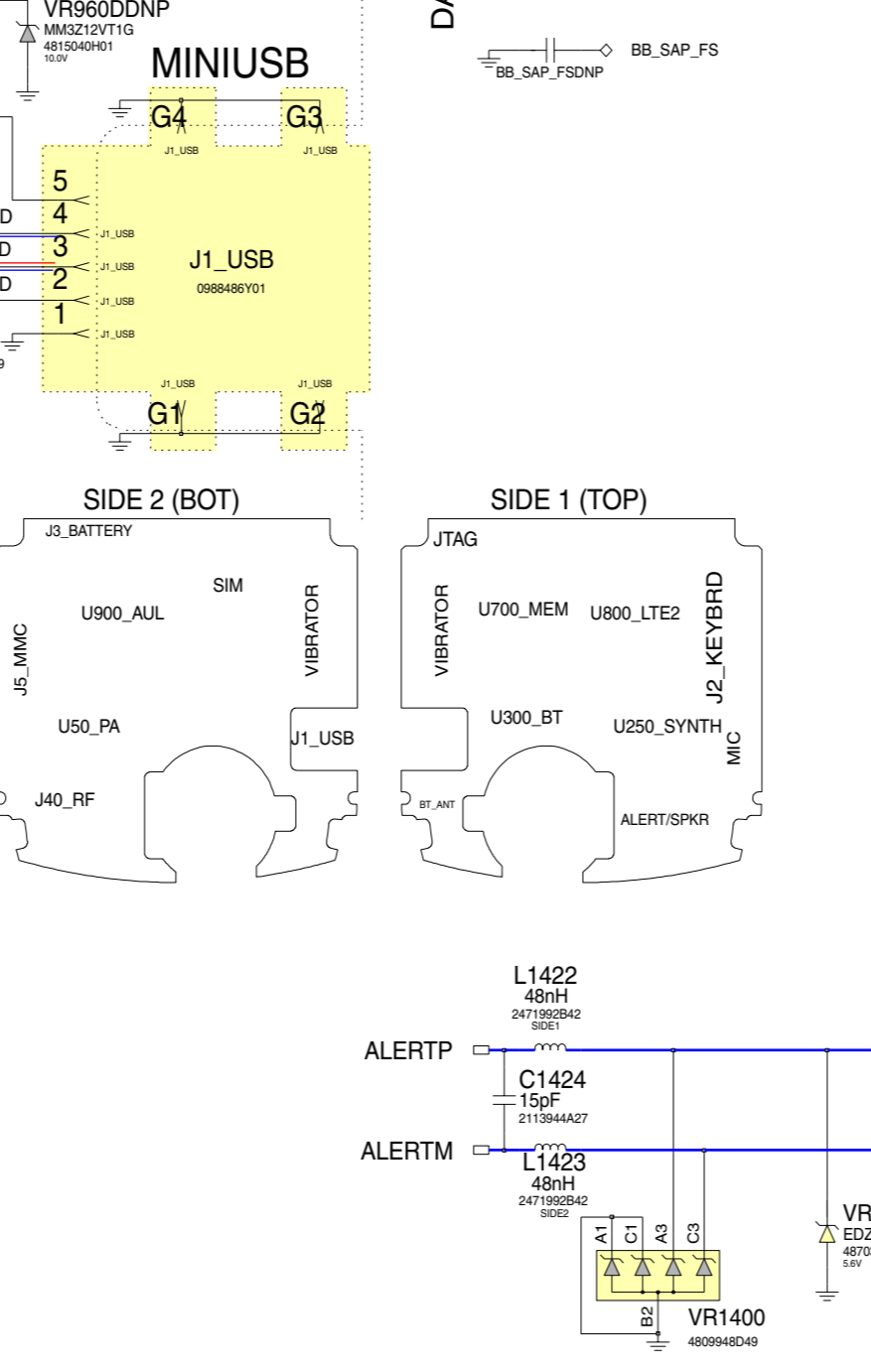
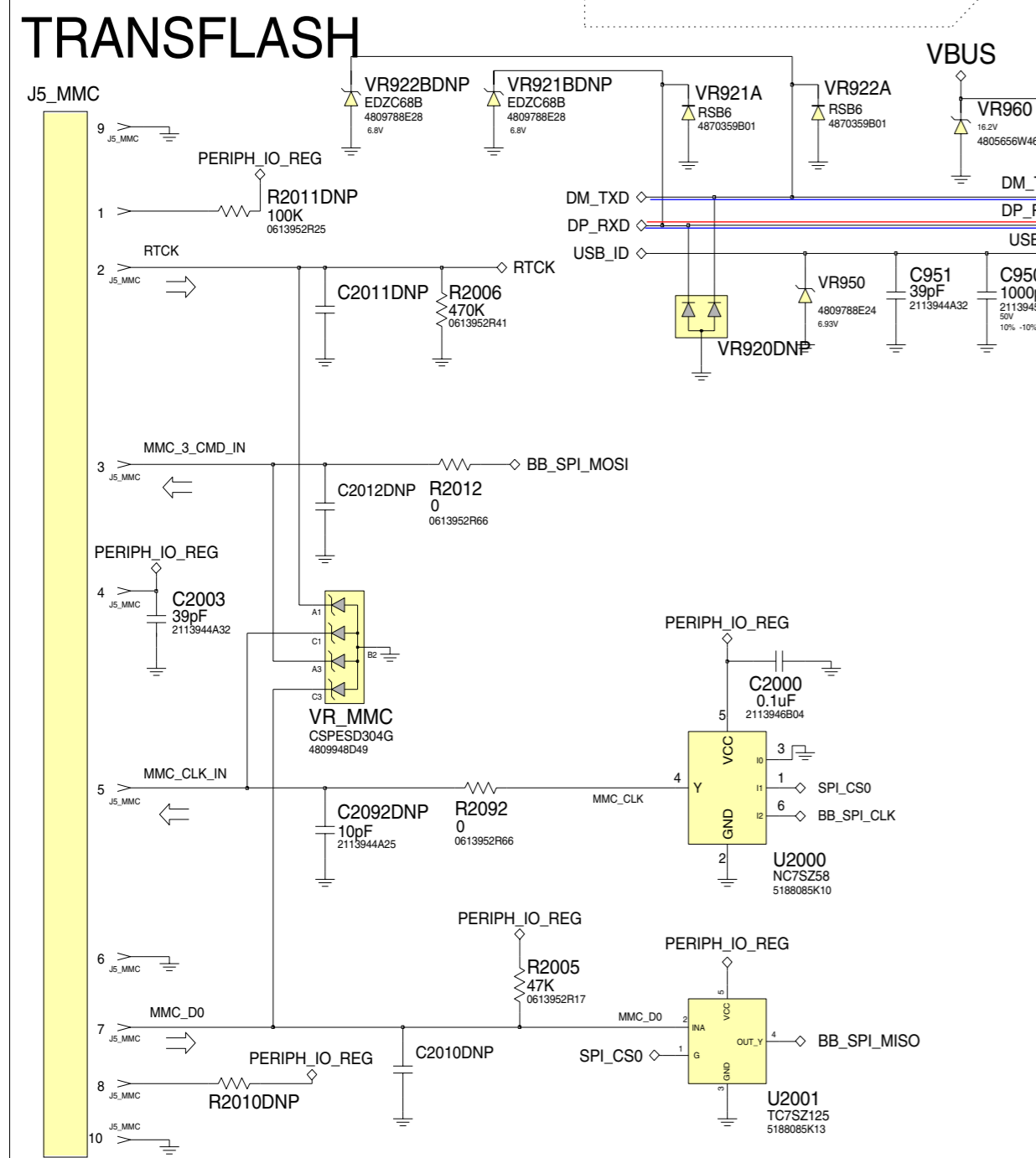
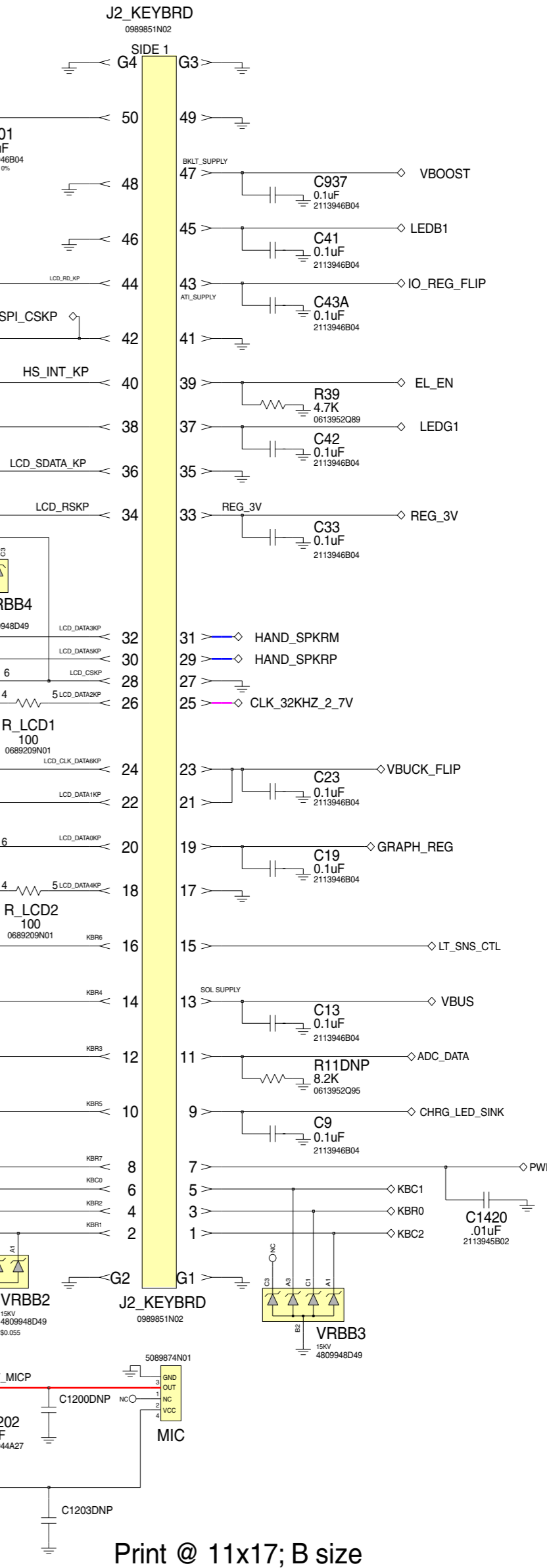
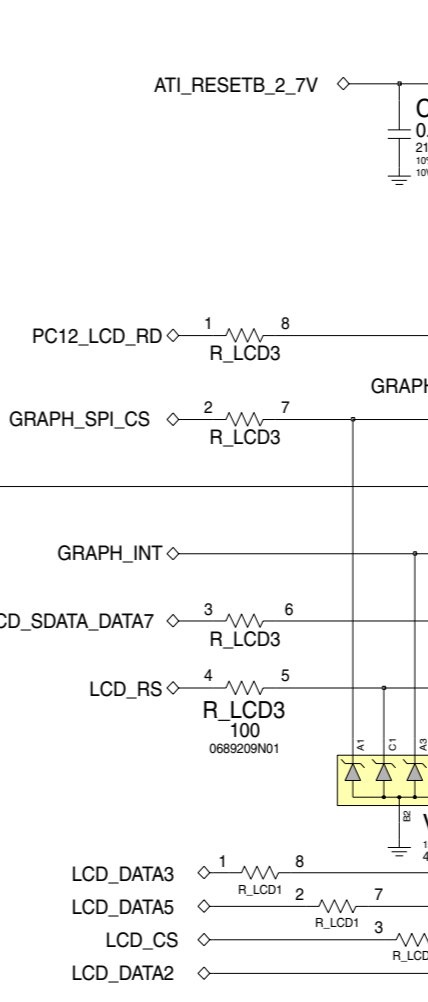
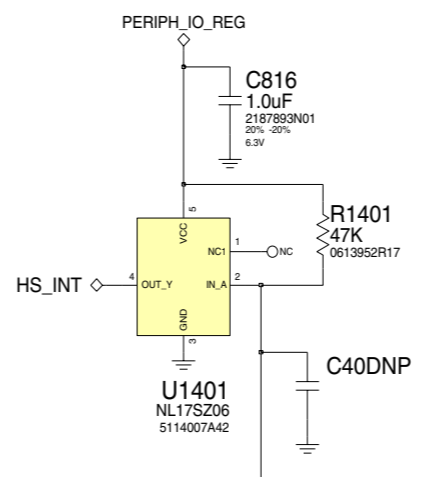
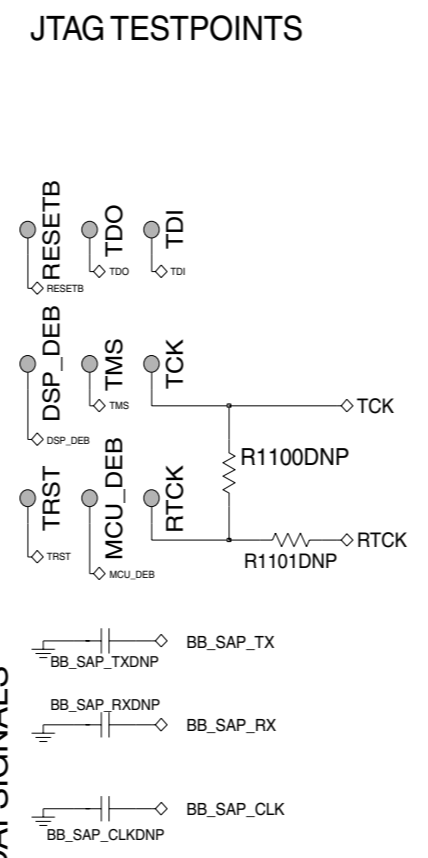
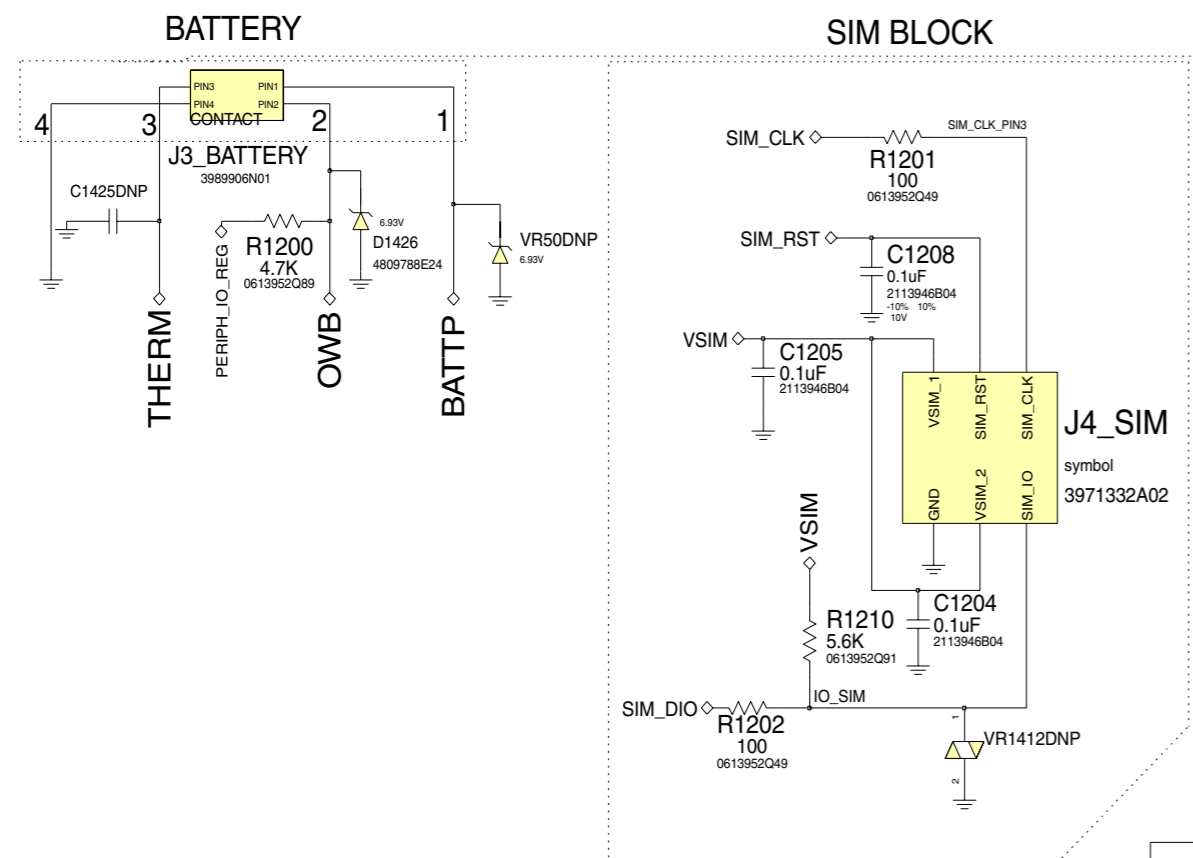
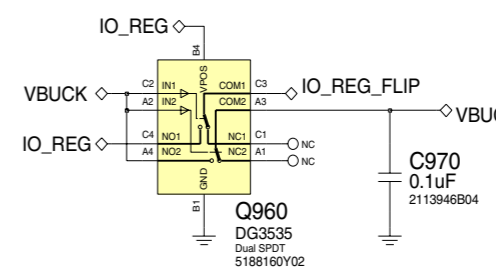
2:24 PM

8489776Y02_A_3

sheet1 rev. 57

- ADC_DATA <->
- ALERTP <->
- ATL_RESETB_2_7V <->
- BATTP <->
- BB_SAP_CLK <->
- BB_SAP_RX <->
- BB_SAP_TX <->
- BB_SPL_CLK <->
- BB_SPL_MISO <->
- BB_SPL_MOSI <->
- BP <->
- CHRG_LED_SINK <->
- CLK_32KHZ_2_7V <->
- DM_TXD <->
- DP_RXD <->
- DSP_DEB <->
- EL_EN <->
- GRAPH_INT <->
- GRAPH_SPL_CS <->
- HAND_SPKRM <->
- HAND_SPKRP <->
- HS_INT <->
- IO_REG <->
- IO_REG_FLIP <->
- IO_SIM <->
- IO_VIB <->
- KB0 <->
- KB1 <->
- KB2 <->
- KB3 <->
- KB4 <->
- KB5 <->
- KB6 <->
- KB7 <->
- KB8 <->
- KB9 <->
- KB10 <->
- KB11 <->
- KB12 <->
- KB13 <->
- KB14 <->
- KB15 <->
- KB16 <->
- KB17 <->
- KB18 <->
- KB19 <->
- KB20 <->
- KB21 <->
- KB22 <->
- KB23 <->
- KB24 <->
- KB25 <->
- KB26 <->
- KB27 <->
- KB28 <->
- KB29 <->
- KB30 <->
- KB31 <->
- KB32 <->
- KB33 <->
- KB34 <->
- KB35 <->
- KB36 <->
- KB37 <->
- KB38 <->
- KB39 <->
- KB40 <->
- KB41 <->
- KB42 <->
- KB43 <->
- KB44 <->
- KB45 <->
- KB46 <->
- KB47 <->
- KB48 <->
- KB49 <->
- KB50 <->
- KB51 <->
- KB52 <->
- KB53 <->
- KB54 <->
- KB55 <->
- KB56 <->
- KB57 <->
- KB58 <->
- KB59 <->
- KB60 <->
- KB61 <->
- KB62 <->
- KB63 <->
- KB64 <->
- KB65 <->
- KB66 <->
- KB67 <->
- KB68 <->
- KB69 <->
- KB70 <->
- KB71 <->
- KB72 <->
- KB73 <->
- KB74 <->
- KB75 <->
- KB76 <->
- KB77 <->
- KB78 <->
- KB79 <->
- KB80 <->
- KB81 <->
- KB82 <->
- KB83 <->
- KB84 <->
- KB85 <->
- KB86 <->
- KB87 <->
- KB88 <->
- KB89 <->
- KB90 <->
- KB91 <->
- KB92 <->
- KB93 <->
- KB94 <->
- KB95 <->
- KB96 <->
- KB97 <->
- KB98 <->
- KB99 <->
- KB100 <->
- LT_SNS_CTL <->
- MCU_DEB <->
- MICBIAS1 <->
- MICINM <->
- MICINP <->
- MIC <->
- OWB <->
- PC12_LCD_RD <->
- PERIPH_IO_REG <->
- PWR_SW <->
- REG_3V <->
- RESETB <->
- RTCK <->
- SIM_CLK <->
- SIM_DIO <->
- SIM_RST <->
- SPL_CS0 <->
- TCK <->
- TDO <->
- TMS <->
- TMSI <->
- TRST <->
- TRST0 <->
- TRST1 <->
- TRST2 <->
- TRST3 <->
- TRST4 <->
- TRST5 <->
- TRST6 <->
- TRST7 <->
- TRST8 <->
- TRST9 <->
- TRST10 <->
- TRST11 <->
- TRST12 <->
- TRST13 <->
- TRST14 <->
- TRST15 <->
- TRST16 <->
- TRST17 <->
- TRST18 <->
- TRST19 <->
- TRST20 <->
- TRST21 <->
- TRST22 <->
- TRST23 <->
- TRST24 <->
- TRST25 <->
- TRST26 <->
- TRST27 <->
- TRST28 <->
- TRST29 <->
- TRST30 <->
- TRST31 <->
- TRST32 <->
- TRST33 <->
- TRST34 <->
- TRST35 <->
- TRST36 <->
- TRST37 <->
- TRST38 <->
- TRST39 <->
- TRST40 <->
- TRST41 <->
- TRST42 <->
- TRST43 <->
- TRST44 <->
- TRST45 <->
- TRST46 <->
- TRST47 <->
- TRST48 <->
- TRST49 <->
- TRST50 <->
- TRST51 <->
- TRST52 <->
- TRST53 <->
- TRST54 <->
- TRST55 <->
- TRST56 <->
- TRST57 <->
- TRST58 <->
- TRST59 <->
- TRST60 <->
- TRST61 <->
- TRST62 <->
- TRST63 <->
- TRST64 <->
- TRST65 <->
- TRST66 <->
- TRST67 <->
- TRST68 <->
- TRST69 <->
- TRST70 <->
- TRST71 <->
- TRST72 <->
- TRST73 <->
- TRST74 <->
- TRST75 <->
- TRST76 <->
- TRST77 <->
- TRST78 <->
- TRST79 <->
- TRST80 <->
- TRST81 <->
- TRST82 <->
- TRST83 <->
- TRST84 <->
- TRST85 <->
- TRST86 <->
- TRST87 <->
- TRST88 <->
- TRST89 <->
- TRST90 <->
- TRST91 <->
- TRST92 <->
- TRST93 <->
- TRST94 <->
- TRST95 <->
- TRST96 <->
- TRST97 <->
- TRST98 <->
- TRST99 <->
- TRST100 <->
- TRST101 <->
- TRST102 <->
- TRST103 <->
- TRST104 <->
- TRST105 <->
- TRST106 <->
- TRST107 <->
- TRST108 <->
- TRST109 <->
- TRST110 <->
- TRST111 <->
- TRST112 <->
- TRST113 <->
- TRST114 <->
- TRST115 <->
- TRST116 <->
- TRST117 <->
- TRST118 <->
- TRST119 <->
- TRST120 <->
- TRST121 <->
- TRST122 <->
- TRST123 <->
- TRST124 <->
- TRST125 <->
- TRST126 <->
- TRST127 <->
- TRST128 <->
- TRST129 <->
- TRST130 <->
- TRST131 <->
- TRST132 <->
- TRST133 <->
- TRST134 <->
- TRST135 <->
- TRST136 <->
- TRST137 <->
- TRST138 <->
- TRST139 <->
- TRST140 <->
- TRST141 <->
- TRST142 <->
- TRST143 <->
- TRST144 <->
- TRST145 <->
- TRST146 <->
- TRST147 <->
- TRST148 <->
- TRST149 <->
- TRST150 <->
- TRST151 <->
- TRST152 <->
- TRST153 <->
- TRST154 <->
- TRST155 <->
- TRST156 <->
- TRST157 <->
- TRST158 <->
- TRST159 <->
- TRST160 <->
- TRST161 <->
- TRST162 <->
- TRST163 <->
- TRST164 <->
- TRST165 <->
- TRST166 <->
- TRST167 <->
- TRST168 <->
- TRST169 <->
- TRST170 <->
- TRST171 <->
- TRST172 <->
- TRST173 <->
- TRST174 <->
- TRST175 <->
- TRST176 <->
- TRST177 <->
- TRST178 <->
- TRST179 <->
- TRST180 <->
- TRST181 <->
- TRST182 <->
- TRST183 <->
- TRST184 <->
- TRST185 <->
- TRST186 <->
- TRST187 <->
- TRST188 <->
- TRST189 <->
- TRST190 <->
- TRST191 <->
- TRST192 <->
- TRST193 <->
- TRST194 <->
- TRST195 <->
- TRST196 <->
- TRST197 <->
- TRST198 <->
- TRST199 <->
- TRST200 <->

KEYBOARD FLEX CONNECTION



Print @ 11x17; B size

V3i 8489776Y02_A_3_P03

26MHZ_OSCO_F

BB_SAP_CLK
BB_SAP_FS
BB_SAP_RX
BB_SAP_TX

BLUE_HOST_WAKEB
BLUE_WAKEB

BTRF_REG

CLK_32KHZ

CTS2

PERIPH_IO_REG

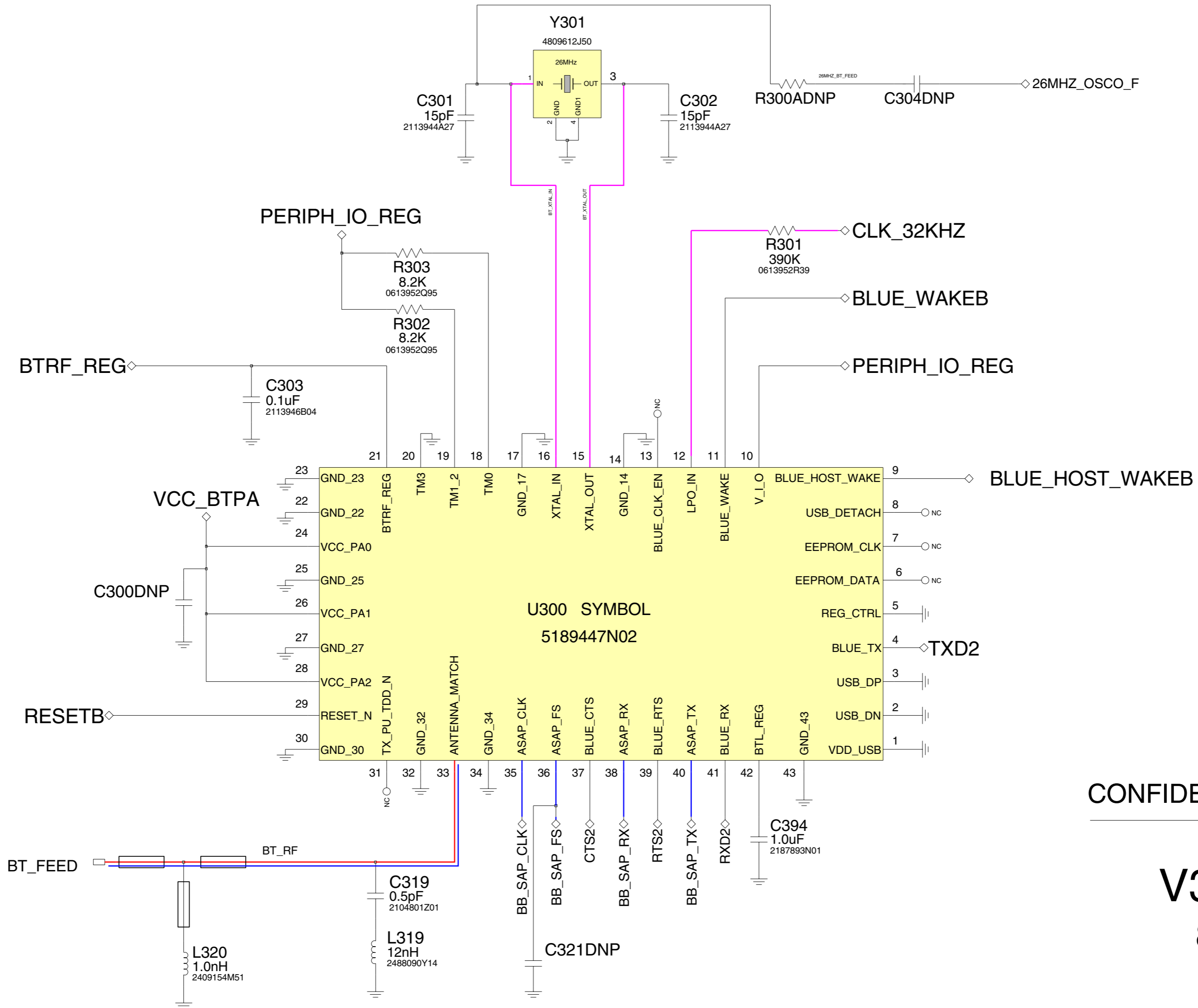
RESETB

RTS2

RXD2

TXD2

VCC_BTPA



MOTOROLA
CONFIDENTIAL PROPRIETARY

Friday, 2 September 2005

V3i

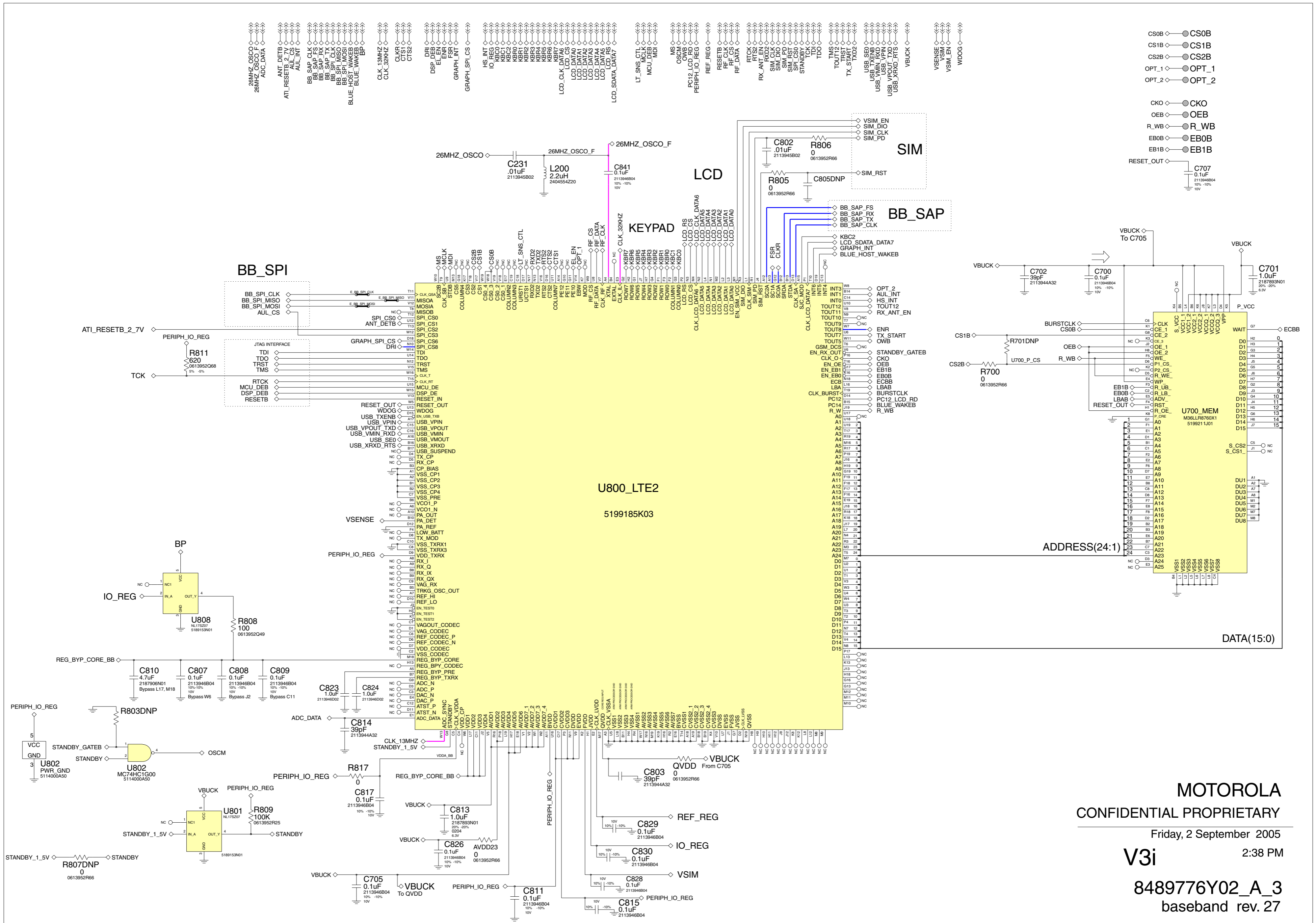
2:24 PM

8489776Y02_A_3
bluetooth rev. 12

V3i 8489776Y02_A_3_P03

Service Engineering
& Optimization
Level 3 Authorized

Level 3 Schematics	2005.09.06
V3i	Rev. 1.0
Alexander Buehler, Michael Hansen	8489776Y02_A_3 Page 4 of 5



MOTOROLA
 CONFIDENTIAL PROPRIETARY
 Friday, 2 September 2005
 V3i 2:38 PM
 8489776Y02_A_3
 baseband rev. 27

V3i 8489776Y02_A_3_P03

射频和天线设计培训课程推荐

易迪拓培训(www.edatop.com)由数名来自于研发第一线的资深工程师发起成立,致力并专注于微波、射频、天线设计研发人才的培养;我们于 2006 年整合合并微波 EDA 网(www.mweda.com),现已发展成为国内最大的微波射频和天线设计人才培养基地,成功推出多套微波射频以及天线设计经典培训课程和 ADS、HFSS 等专业软件使用培训课程,广受客户好评;并先后与人民邮电出版社、电子工业出版社合作出版了多本专业图书,帮助数万名工程师提升了专业技术能力。客户遍布中兴通讯、研通高频、埃威航电、国人通信等多家国内知名公司,以及台湾工业技术研究院、永业科技、全一电子等多家台湾地区企业。

易迪拓培训课程列表: <http://www.edatop.com/peixun/rfe/129.html>



射频工程师养成培训课程套装

该套装精选了射频专业基础培训课程、射频仿真设计培训课程和射频电路测量培训课程三个类别共 30 门视频培训课程和 3 本图书教材;旨在引领学员全面学习一个射频工程师需要熟悉、理解和掌握的专业知识和研发设计能力。通过套装的学习,能够让学员完全达到和胜任一个合格的射频工程师的要求...

课程网址: <http://www.edatop.com/peixun/rfe/110.html>

ADS 学习培训课程套装

该套装是迄今国内最全面、最权威的 ADS 培训教程,共包含 10 门 ADS 学习培训课程。课程是由具有多年 ADS 使用经验的微波射频与通信系统设计领域资深专家讲解,并多结合设计实例,由浅入深、详细而又全面地讲解了 ADS 在微波射频电路设计、通信系统设计和电磁仿真设计方面的内容。能让您在最短的时间内学会使用 ADS,迅速提升个人技术能力,把 ADS 真正应用到实际研发工作中去,成为 ADS 设计专家...



课程网址: <http://www.edatop.com/peixun/ads/13.html>



HFSS 学习培训课程套装

该套课程套装包含了本站全部 HFSS 培训课程,是迄今国内最全面、最专业的 HFSS 培训教程套装,可以帮助您从零开始,全面深入学习 HFSS 的各项功能和在多个方面的工程应用。购买套装,更可超值赠送 3 个月免费学习答疑,随时解答您学习过程中遇到的棘手问题,让您的 HFSS 学习更加轻松顺畅...

课程网址: <http://www.edatop.com/peixun/hfss/11.html>

CST 学习培训课程套装

该培训套装由易迪拓培训联合微波 EDA 网共同推出,是最全面、系统、专业的 CST 微波工作室培训课程套装,所有课程都由经验丰富的专家授课,视频教学,可以帮助您从零开始,全面系统地学习 CST 微波工作的各项功能及其在微波射频、天线设计等领域的设计应用。且购买该套装,还可超值赠送 3 个月免费学习答疑...

课程网址: <http://www.edatop.com/peixun/cst/24.html>



HFSS 天线设计培训课程套装

套装包含 6 门视频课程和 1 本图书,课程从基础讲起,内容由浅入深,理论介绍和实际操作讲解相结合,全面系统的讲解了 HFSS 天线设计的全过程。是国内最全面、最专业的 HFSS 天线设计课程,可以帮助您快速学习掌握如何使用 HFSS 设计天线,让天线设计不再难...

课程网址: <http://www.edatop.com/peixun/hfss/122.html>

13.56MHz NFC/RFID 线圈天线设计培训课程套装

套装包含 4 门视频培训课程,培训将 13.56MHz 线圈天线设计原理和仿真设计实践相结合,全面系统地讲解了 13.56MHz 线圈天线的工作原理、设计方法、设计考量以及使用 HFSS 和 CST 仿真分析线圈天线的具体操作,同时还介绍了 13.56MHz 线圈天线匹配电路的设计和调试。通过该套课程的学习,可以帮助您快速学习掌握 13.56MHz 线圈天线及其匹配电路的原理、设计和调试...

详情浏览: <http://www.edatop.com/peixun/antenna/116.html>



我们的课程优势:

- ※ 成立于 2004 年,10 多年丰富的行业经验,
- ※ 一直致力并专注于微波射频和天线设计工程师的培养,更了解该行业对人才的要求
- ※ 经验丰富的一线资深工程师讲授,结合实际工程案例,直观、实用、易学

联系我们:

- ※ 易迪拓培训官网: <http://www.edatop.com>
- ※ 微波 EDA 网: <http://www.mweda.com>
- ※ 官方淘宝店: <http://shop36920890.taobao.com>