

SIP Socket

Pitch:2.54mm

Mating pin Ø 0.76 mm

Solder Type / Strip Right Angle / SMD Type

Single row / double row

Series

141***S7...

141***M7...

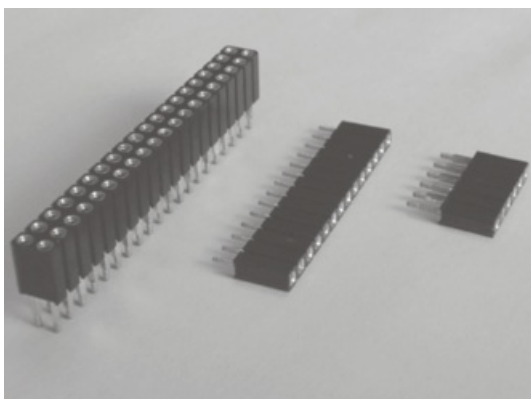
141***R7...

Leyconn

TEL:+86(755)2624 6910

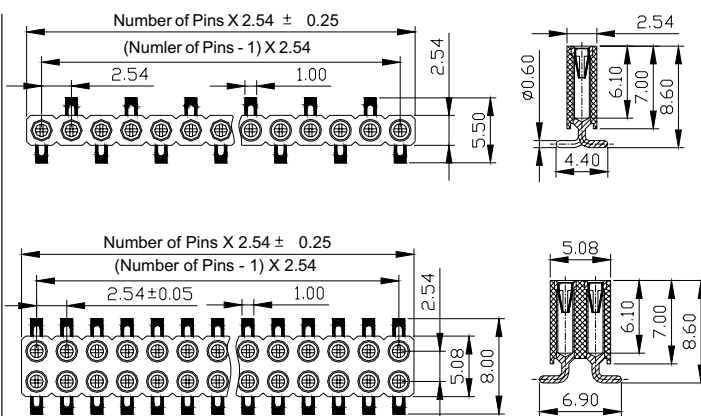
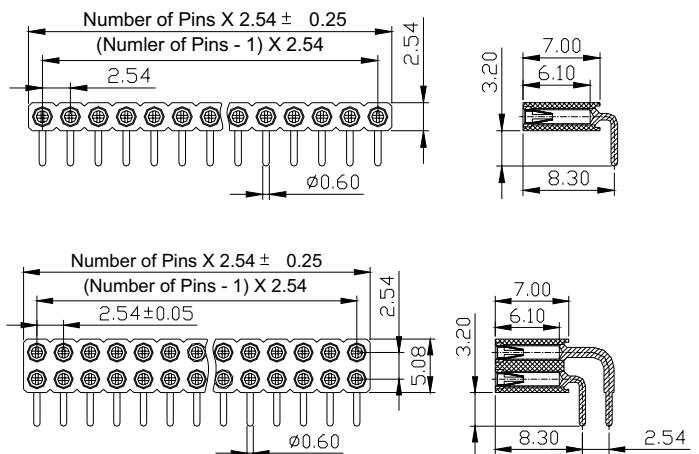
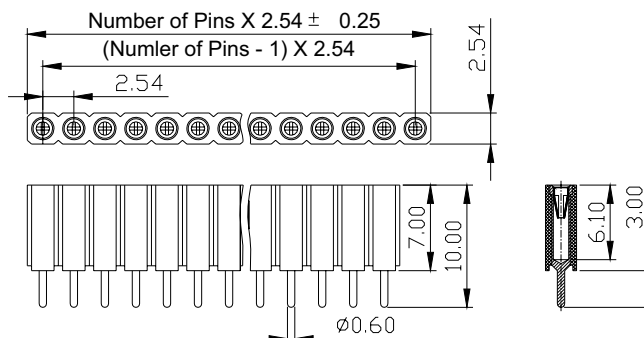
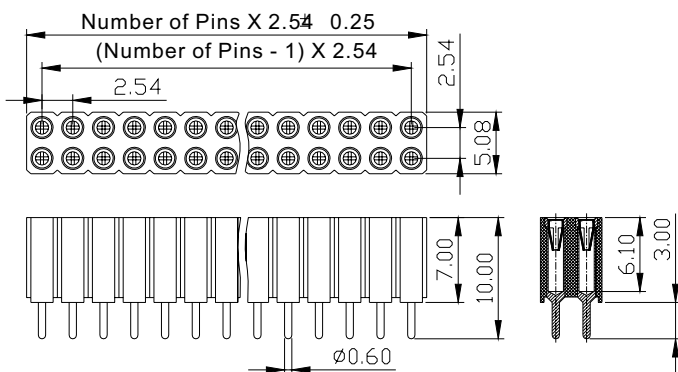
TEL:+86(755)2624 6912

Http://www.leyconn.com



Technical Specs:

Insulator:	Black glass filled polyester PPS-GF30-FR
Flammability:	UL 94V-0
Sleeve:	Brass CuZn36Pb3 (C36000)
Contact clip (6 finger):	Beryllium copper (C17200)
Mating pins:	Φ0.70 to 0.90 mm, 0.635 mm
Forces:	(polished steel gauge Φ0.76 mm)
-- Insertion	2N typ.
-- Withdrawal	1N typ.
Mechanical life:	min 500 cycles
Rated current:	3A
Contact resistance:	max 10 mΩ
Dielectric strength:	min 1000 V RMS
Coplanarity SMD terminations:	max 0.1 mm (measured on 25 mm long connectors)



Ordering Code

① ② ③ ④ ⑤ ⑥ ⑦
141 XX X X 7 X XX

① Series No. :
141=SIP Socket

② Number of Contacts:
Single row =01 to 40
Double row=02 to 80

③ Dip Spacing:
0=Single row
1=Double row

④ Tail & Mounting Style:
S=Straight DIP Type
M=Straight S.M.T Type
R=Right Angle Type

⑤ Insulator Height
7=7.00mm

⑥ Plated(Sleeve / Contact):
0 = Tin 200u" / Tin 200u"
1 = Tin 200u" / Gold Flash
2 = Tin 200u" / Gold 5u"
3 = Tin 200u" / Gold 15u"
4 = Tin 200u" / Gold 30u"
5 = Gold Flash / Gold Flash

⑦ Pin Type
See Page 15~16

Due to technical progress, all the information provided is subject to change without prior notice.