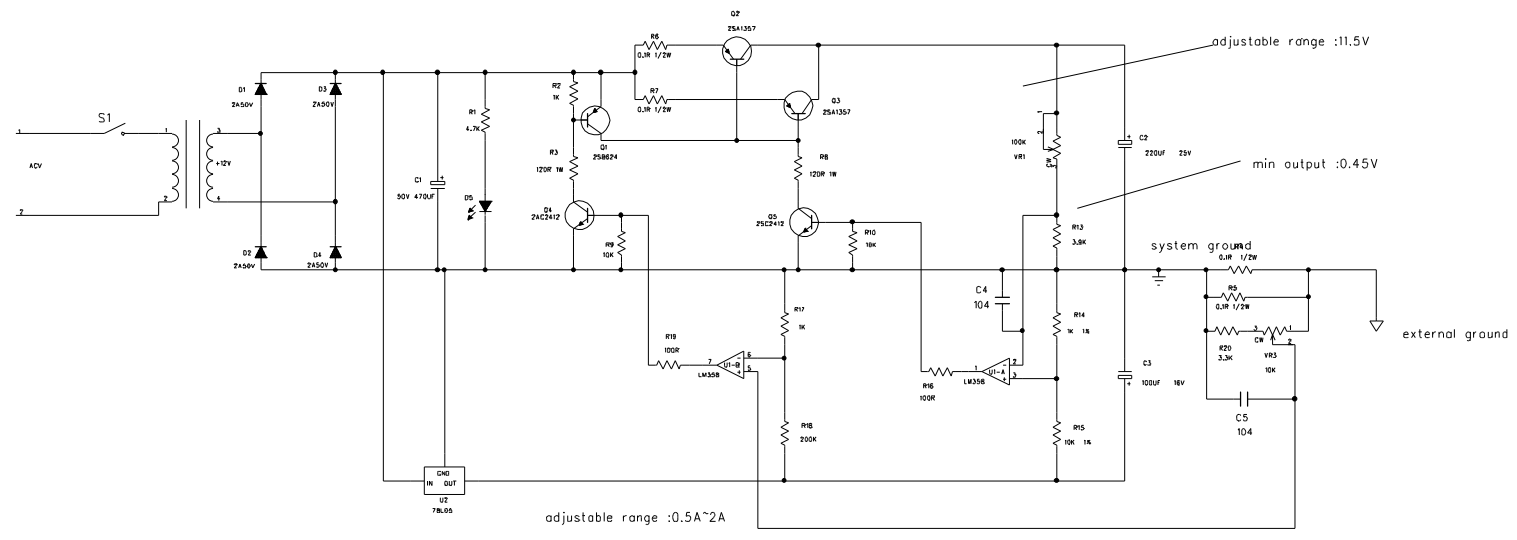


6 5 4 3 2 1

REVISION RECORD			
LTR	ECD NO:	APPROVED:	DATE:



COMPANY:				
TITLE:				
DRAWN:	DATED:	CODE:	SIZE:	DRAWING NO:
CHECKED:	DATED:	SCALE:		REV:
QUALITY CONTROL:	DATED:			
RELEASED:	DATED:			

D
C
B
A

D
C
B
A