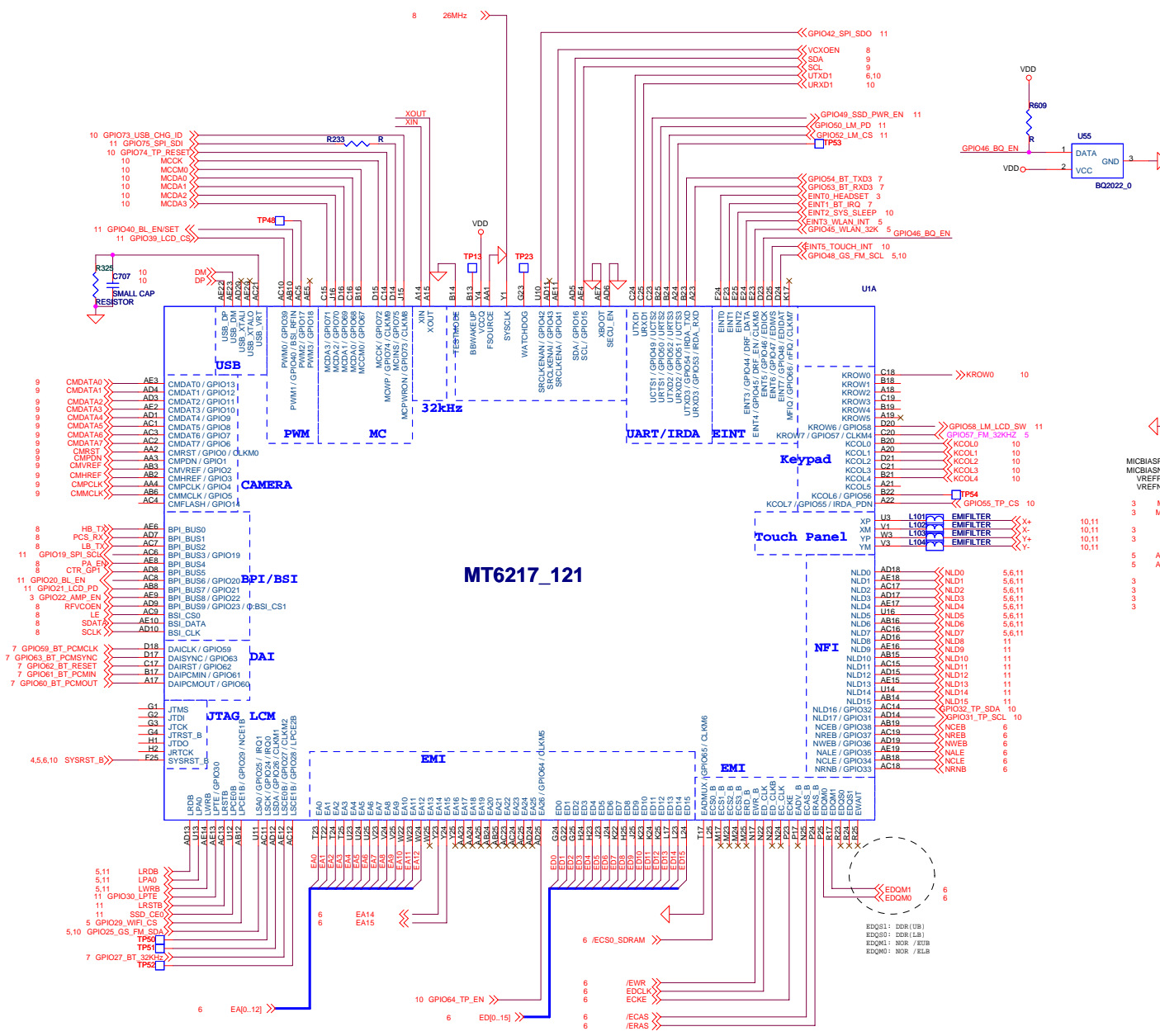
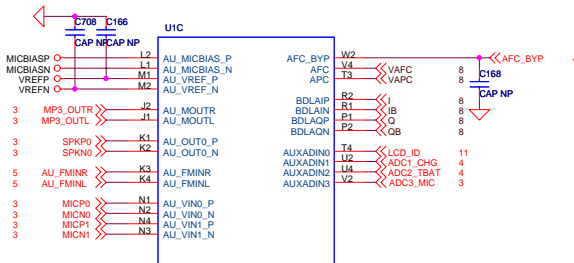
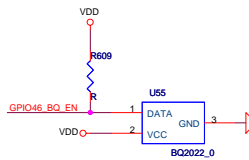


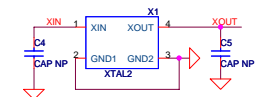
BLCOK		
File	<Title> Y801	
Size	Document Number	Rev
C	<Doc>	W.0
Date:	Tuesday, November 24, 2009	Sheet 1 of 12



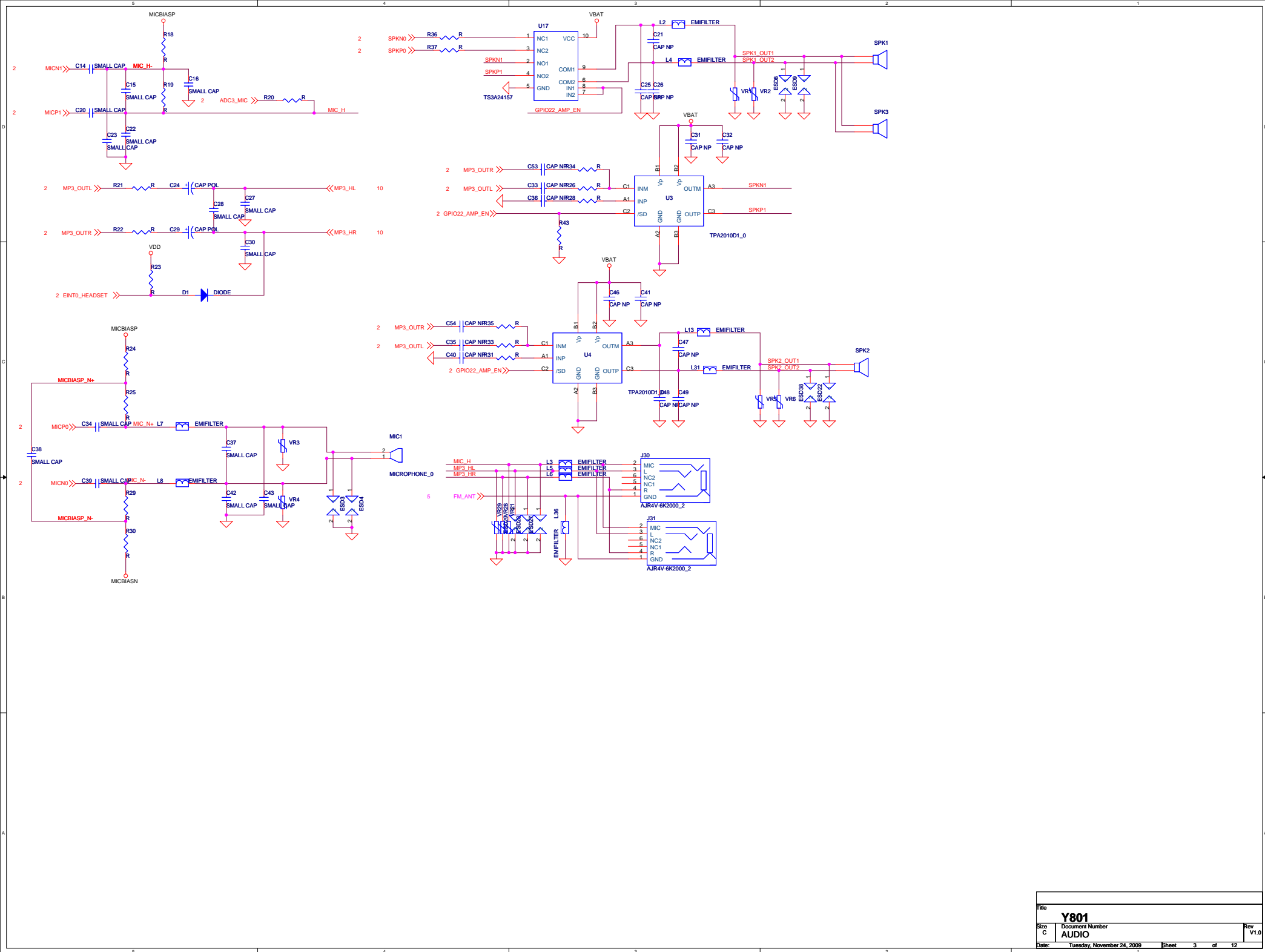
Pin name	Pin out	Normal mode	Test mode	Enable security	Burn EFUSE
TESTMODE	B14	L	VDD	L	L
XBOOT	AE7	L	L	L	L
SECU_EN	AD6	L	L	VDD	L
FSSOURCE	AA1	L	L	L	VBAT
VCCQ	Y4	VDD	VDD	VDD	VBAT



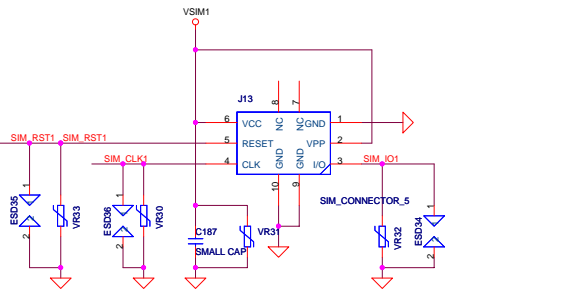
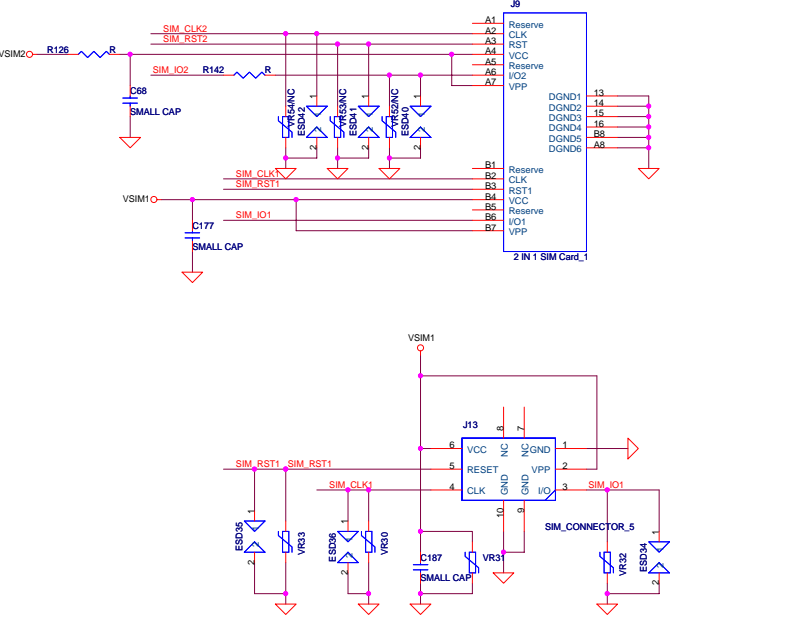
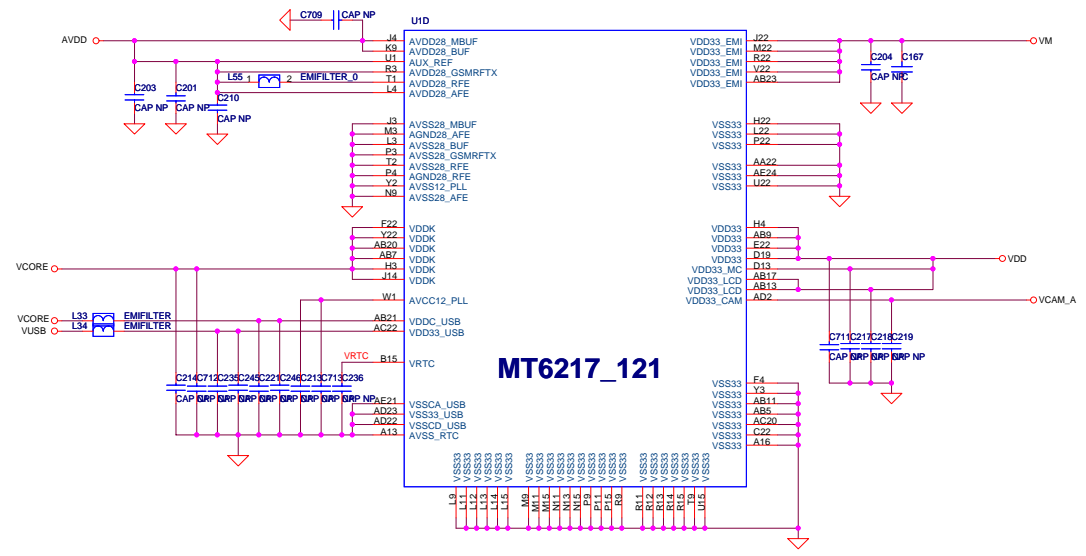
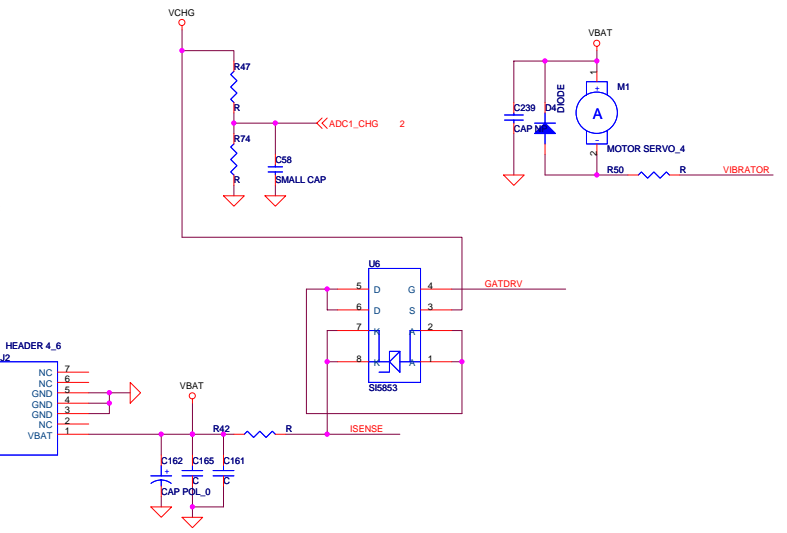
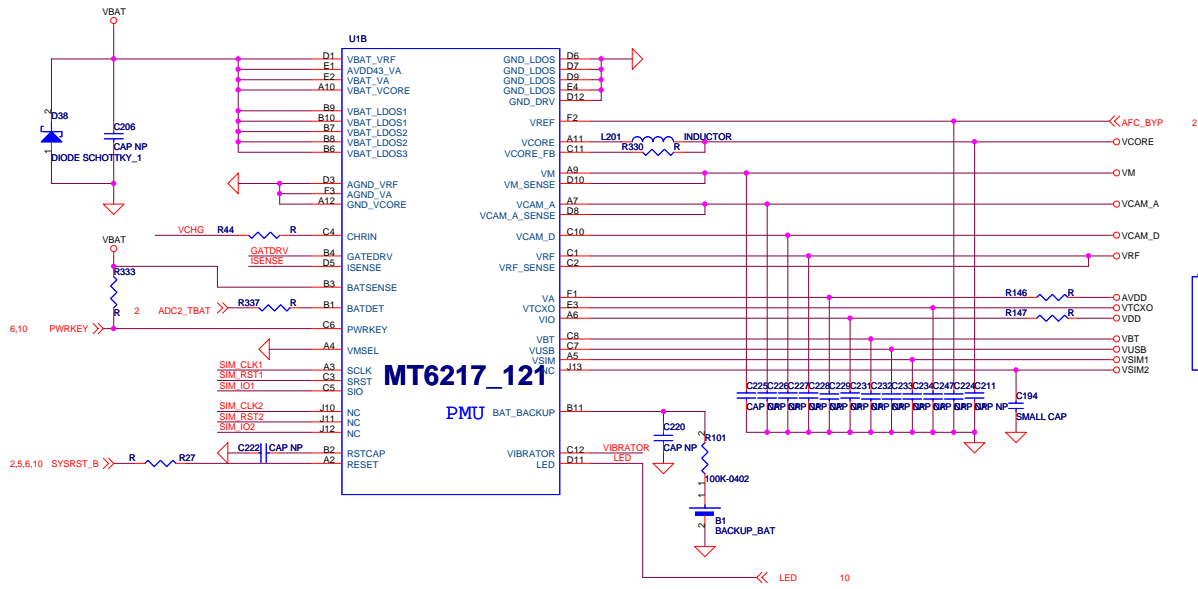
MT6217_121



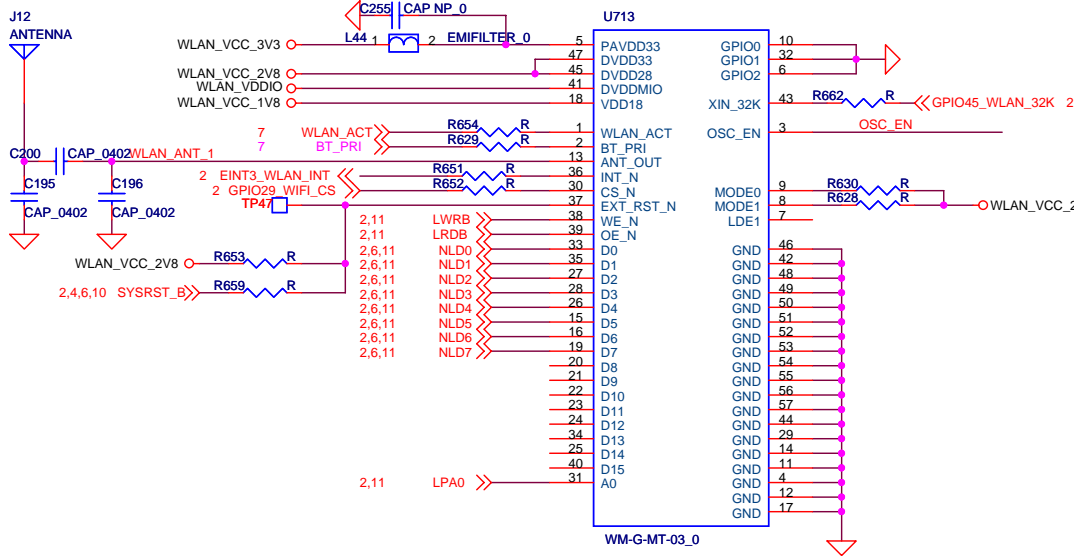
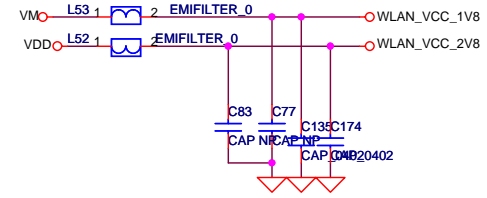
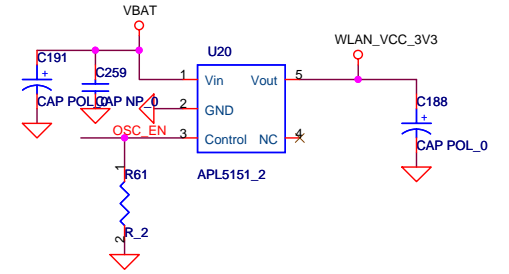
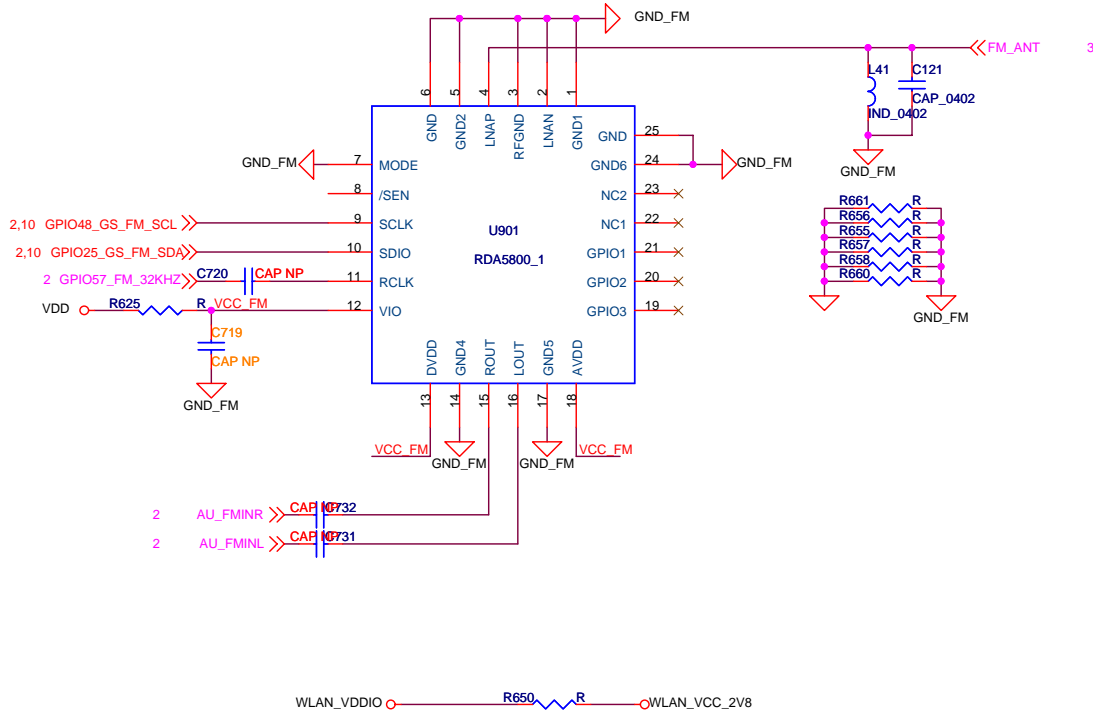
ADDR_TYPE	ROW	address bits	Bank address bits	Column address bits
000	11	1	2	8
001	11	1	2	8
010	12	2	2	8
011	12	2	2	9
100	13	2	2	9
101	13	2	2	10
110	14	2	2	10



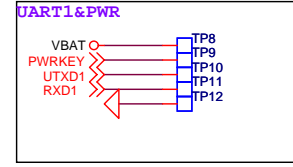
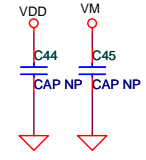
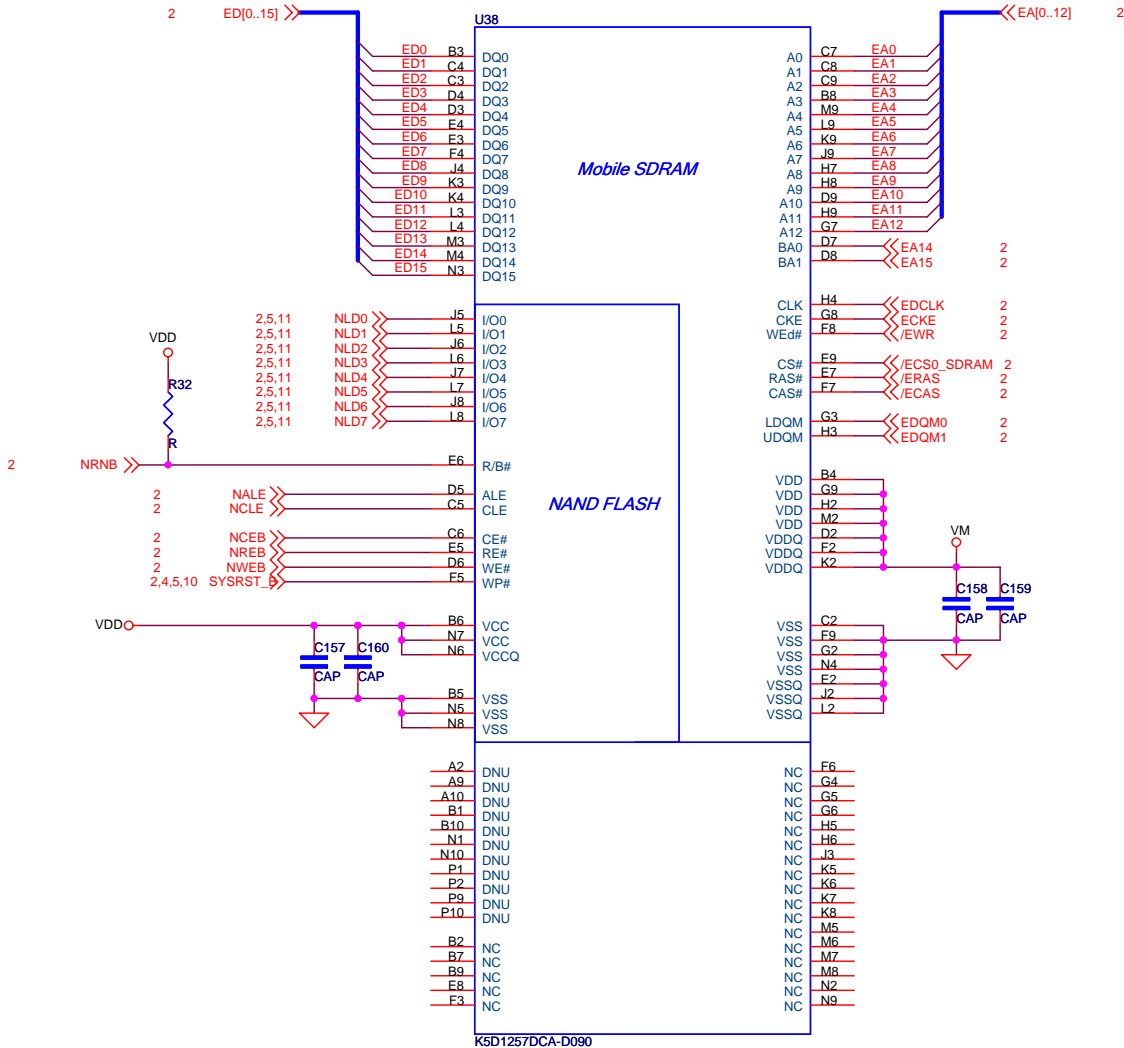
MT6235-PMU



Title		
Y801		
Size	Document Number	Rev
C	MT6235&CHARGE	V1.0
Date:	Tuesday, November 24, 2009	Sheet 4 of 12

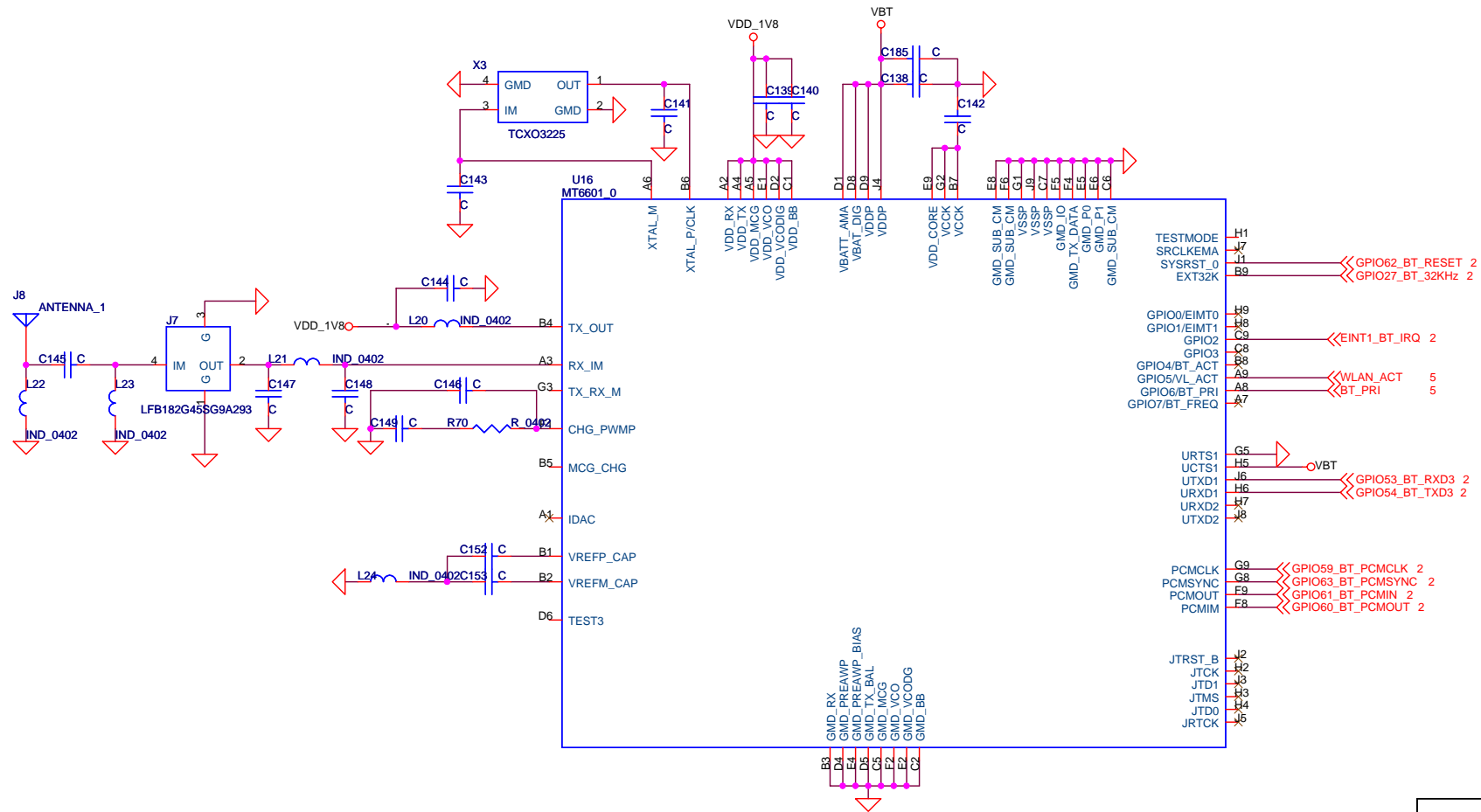


Title		
Y801		
Size	Document Number	Rev
B	FM&WLAN	V1.0
Date:	Tuesday, November 24, 2009	Sheet 5 of 12

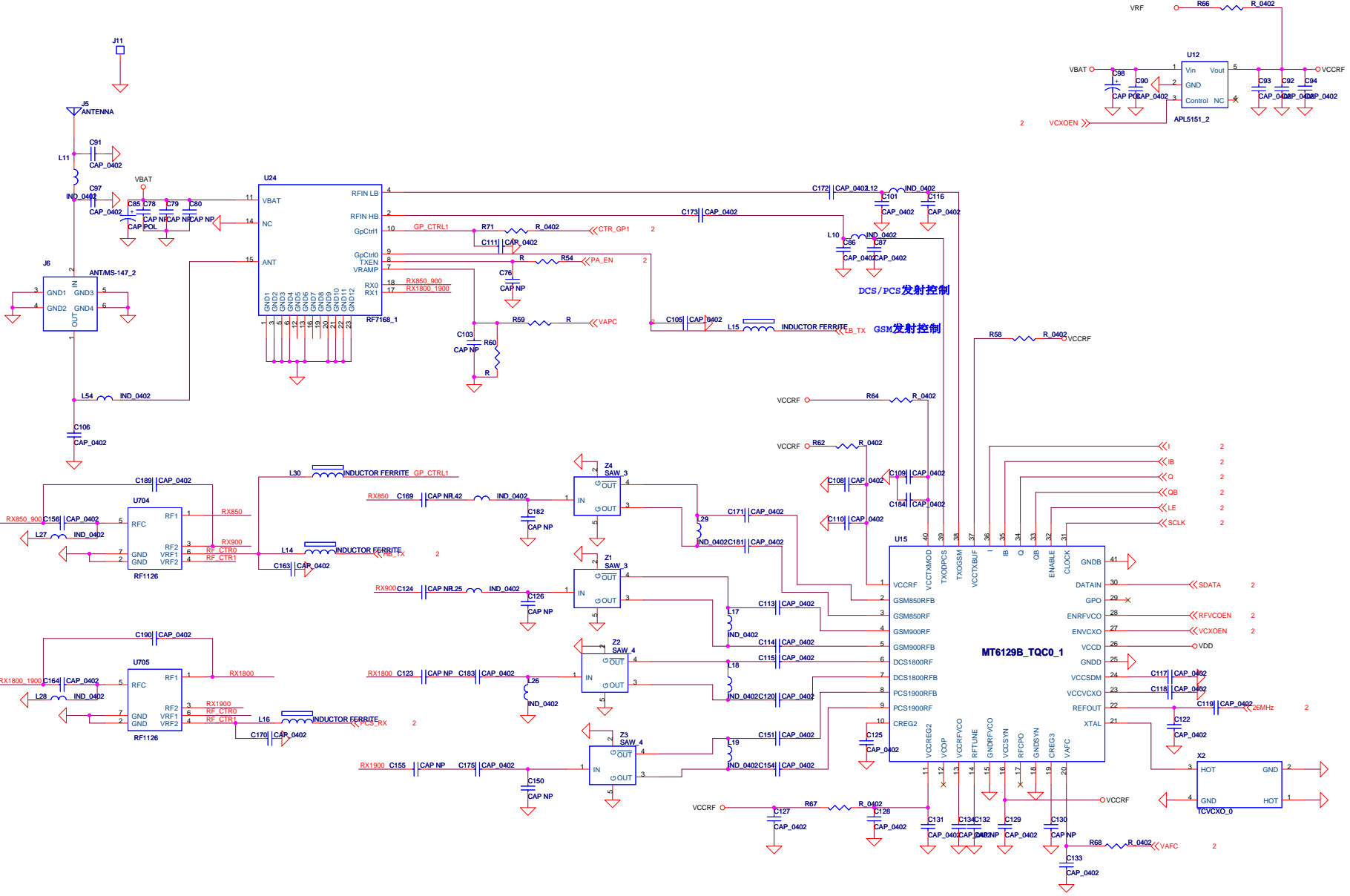


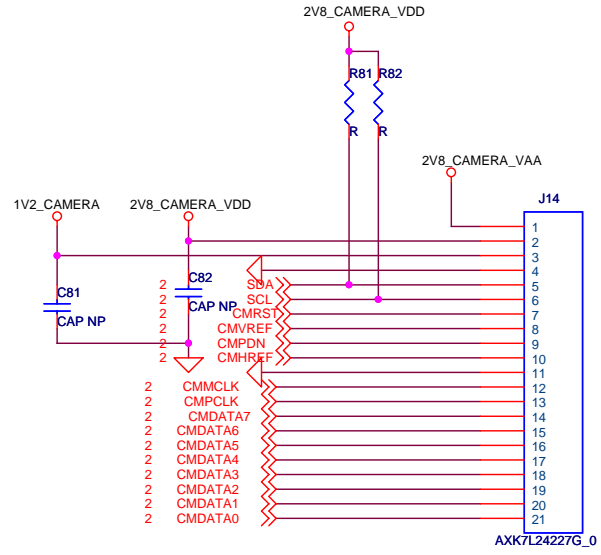
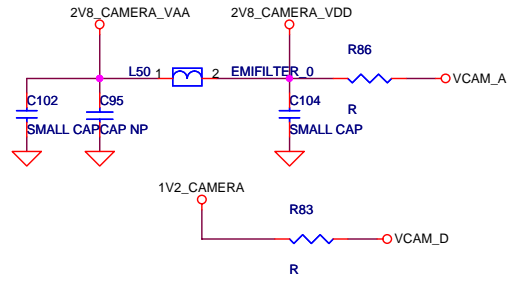
K5D1257DCA-D090

Title		
Y801		
Size	Document Number	Rev
B	S71PL256N	V1.0
Date:	Tuesday, November 24, 2009	Sheet 6 of 12

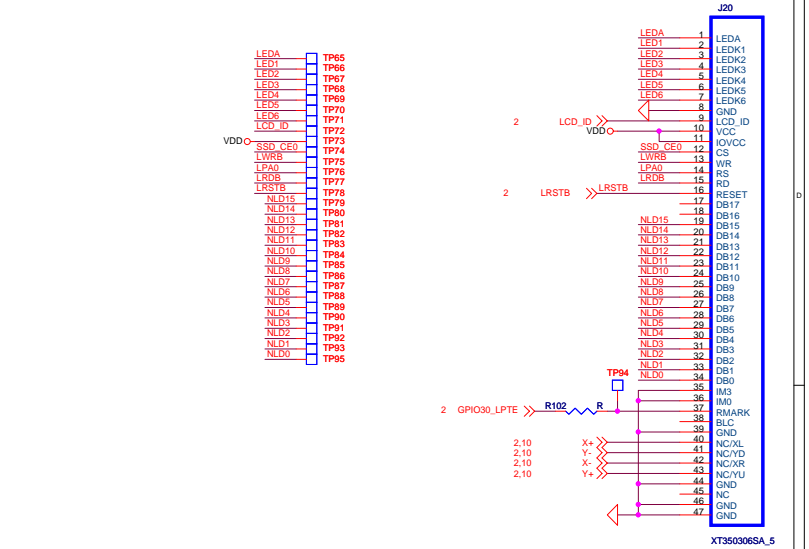
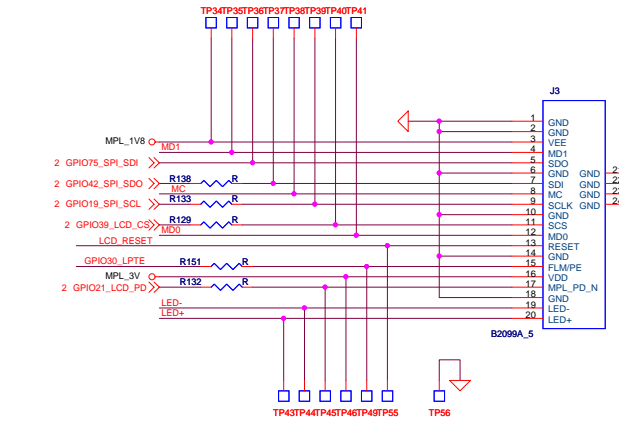
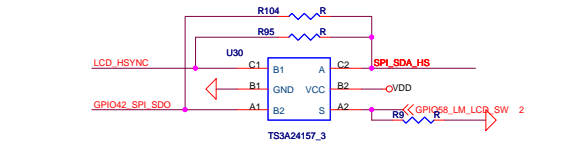
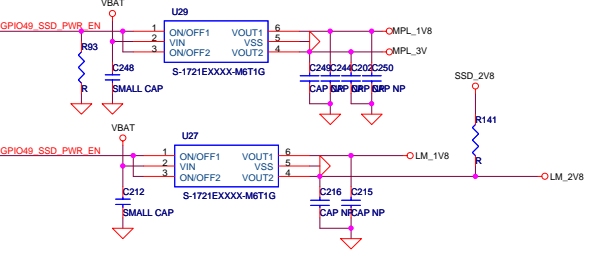
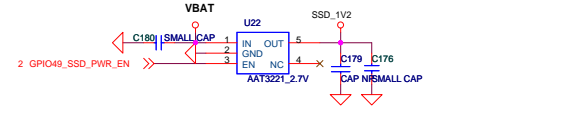
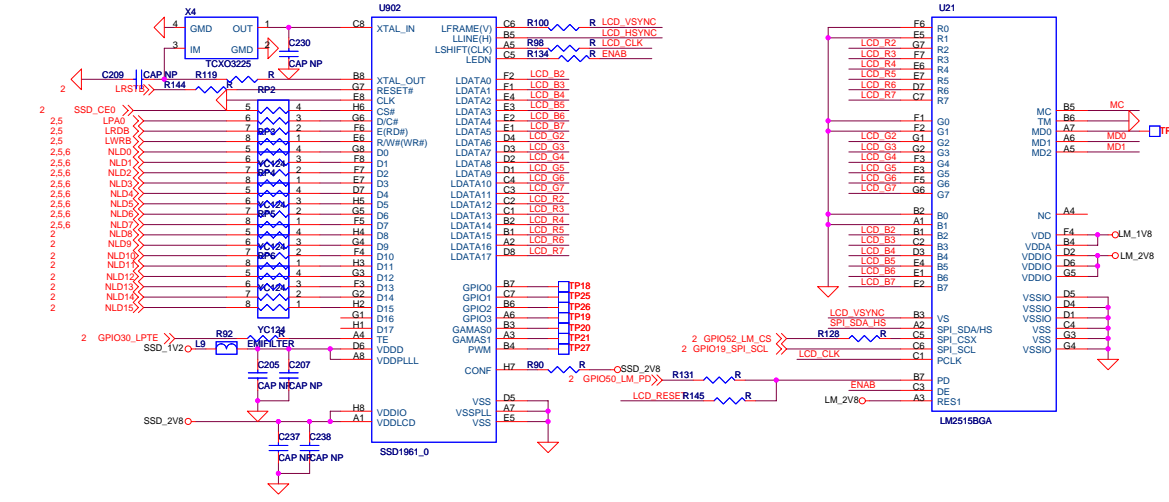


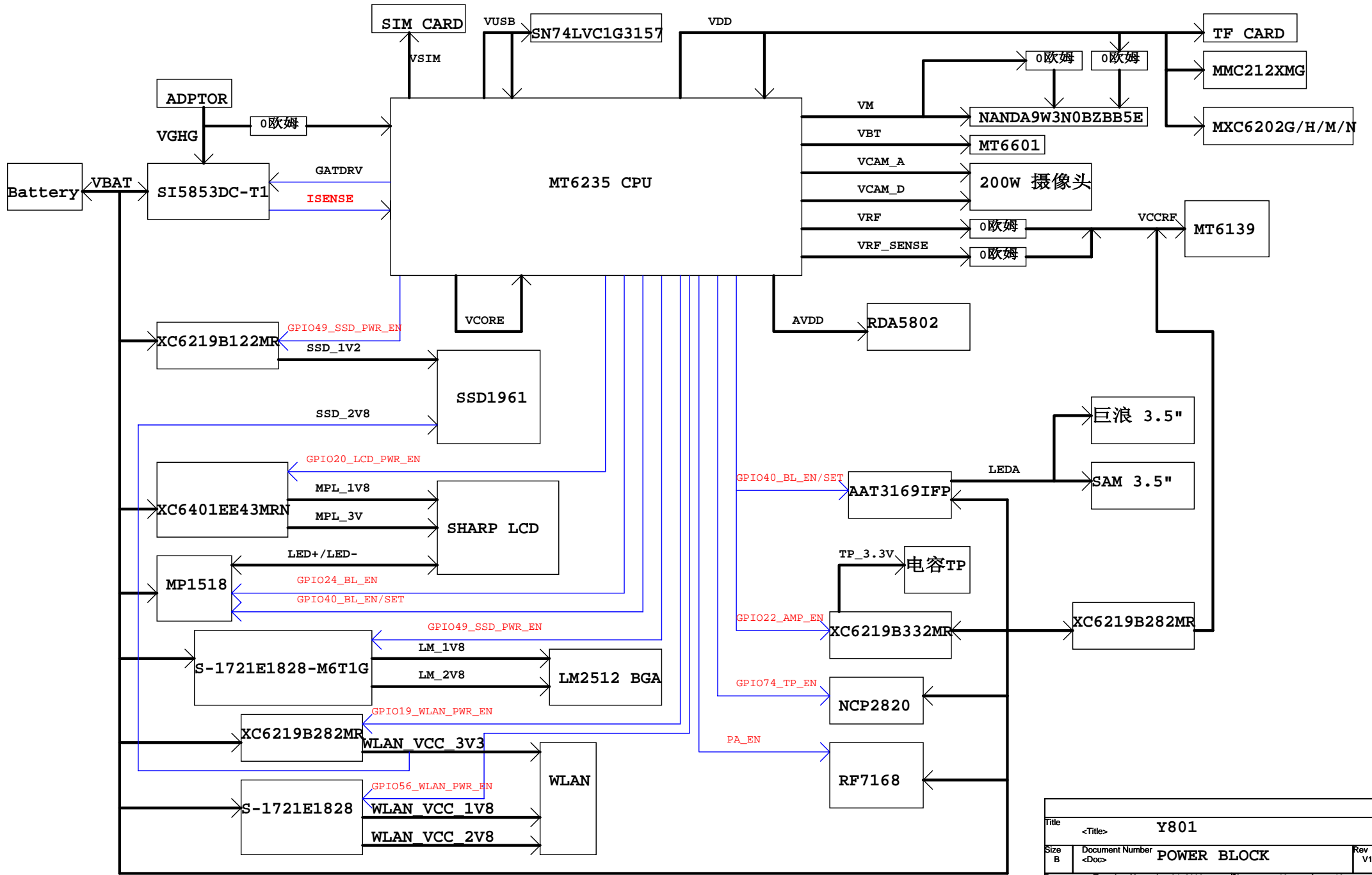
Title		
Y801		
Size	Document Number	Rev
B	MT6601	V1.0
Date:	Tuesday, November 24, 2009	Sheet 7 of 12





Title		
Y801		
Size	Document Number	Rev
B	IO	V1.0
Date:	Tuesday, November 24, 2009	Sheet 9 of 12





Title		Y801	
Size	Document Number	POWER BLOCK	
B	<Doc>	Rev	V1.0
Date:	Tuesday, November 24, 2009	Sheet	12 of 12